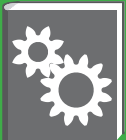
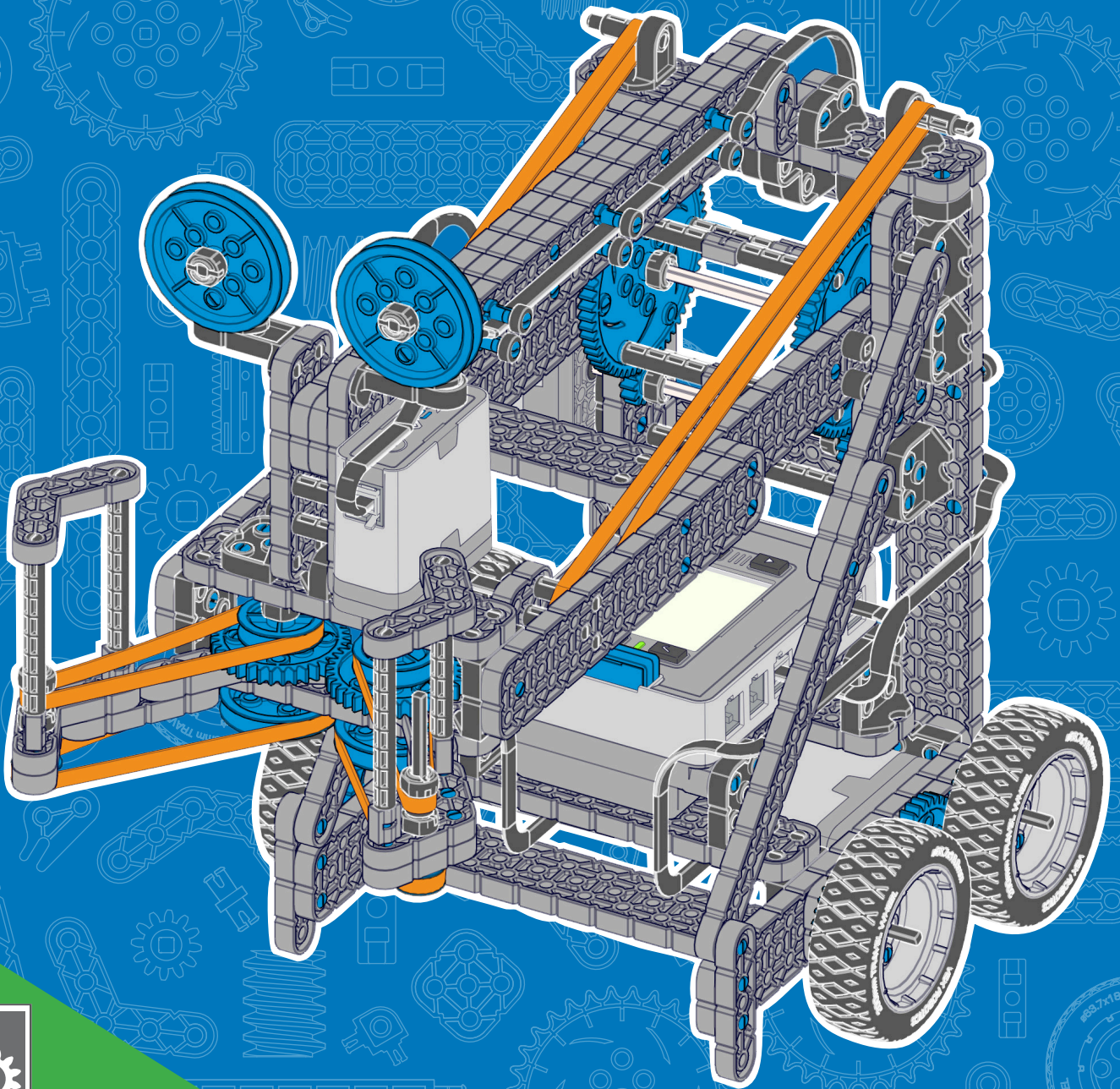
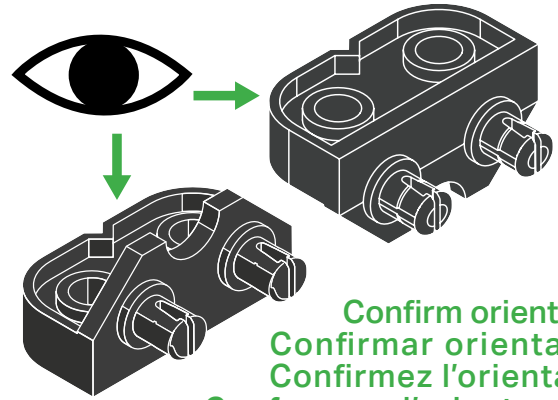
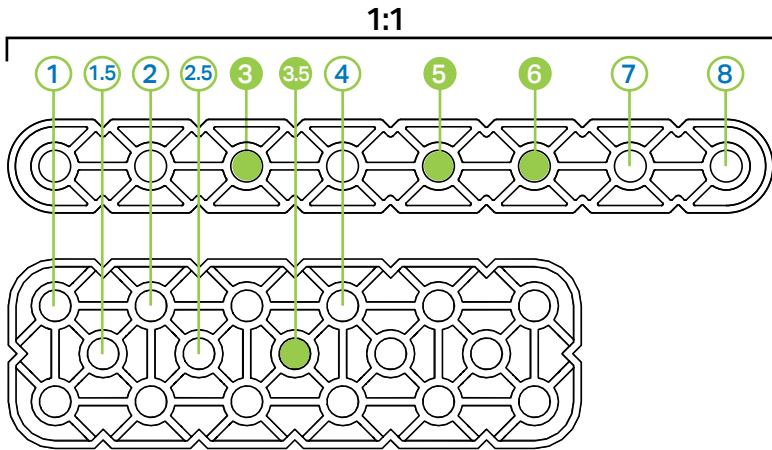


# VEX IQ

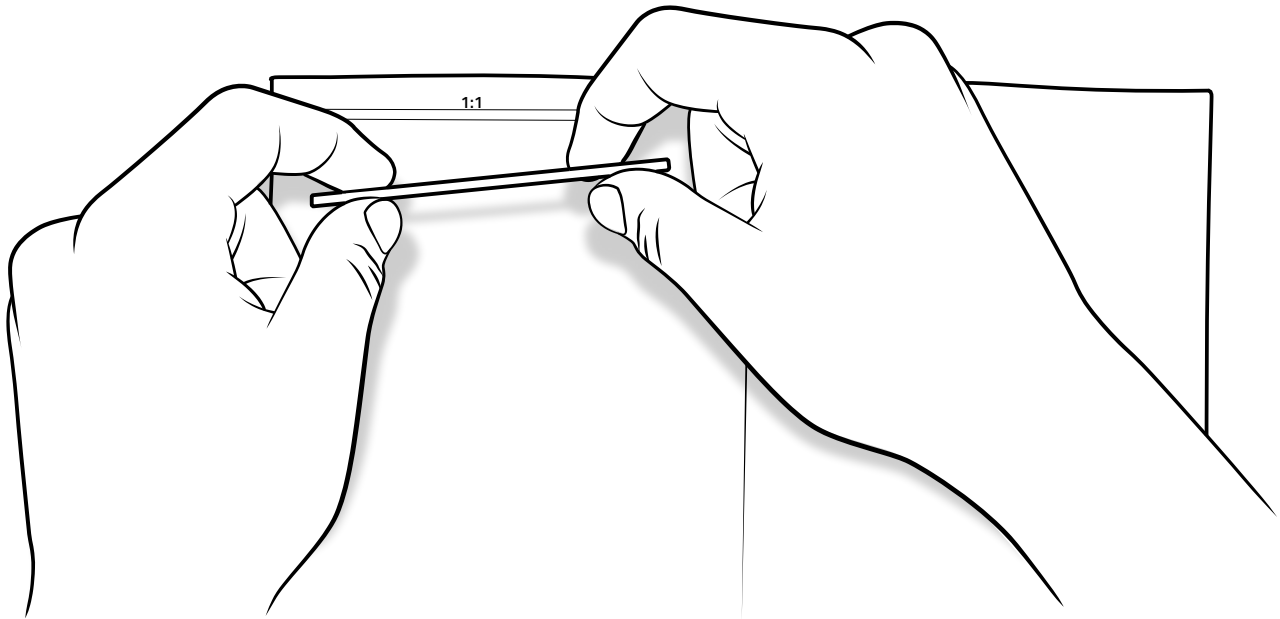
## Stretch Build Instructions



Count before you connect • Contar antes de conectar • Compter avant de connecter • Contare i pezzi prima di collegarli • Erst zählen, dann verbinden • Policz, zanim połączysz • Tell voordat u aansluit



Confirm orientation  
 Confirmar orientación  
 Confirmez l'orientation  
 Confermare l'orientamento  
 Ausrichtung prüfen  
 Potwierdź orientację  
 Bevestig orientatie



Check pieces against actual size in manual  
 Verificar partes contra tamaño real en el manual  
 Verifiez les pièces contre leurs tailles réelles dans le manuel  
 Controllare le dimensioni dei pezzi nel manuale rispetto alla grandezza naturale  
 Bauteile mit der originalgröße in der anleitung vergleichen  
 Sprawdź elementy względem rzeczywistego rozmiaru w instrukcji  
 Check stukken tegen de werkelijke grootte in de handmatige



Alert  
 Alerta  
 Alerte  
 Attenzione  
 Warnung  
 Ostrzeżenie  
 Waarschuwing



Correct  
 Correcto  
 Correcte  
 Corretto  
 Richtig  
 Prawidłowo  
 Correct



Pivot  
 Pivote  
 Pivot  
 Imperniare  
 Drehbar lagern  
 Obracać się na osi  
 Draaien



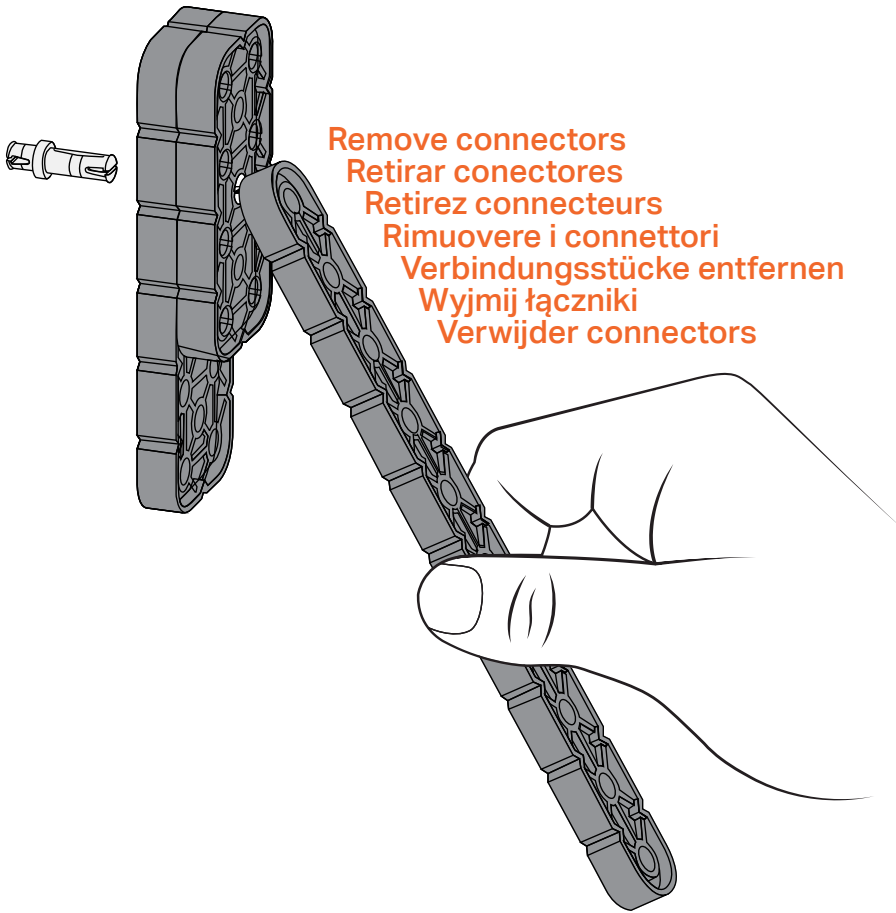
Incorrect  
 Incorrecto  
 Incorrecte  
 Non corretto  
 Falsch  
 Nieprawidłowo  
 Verkeerd



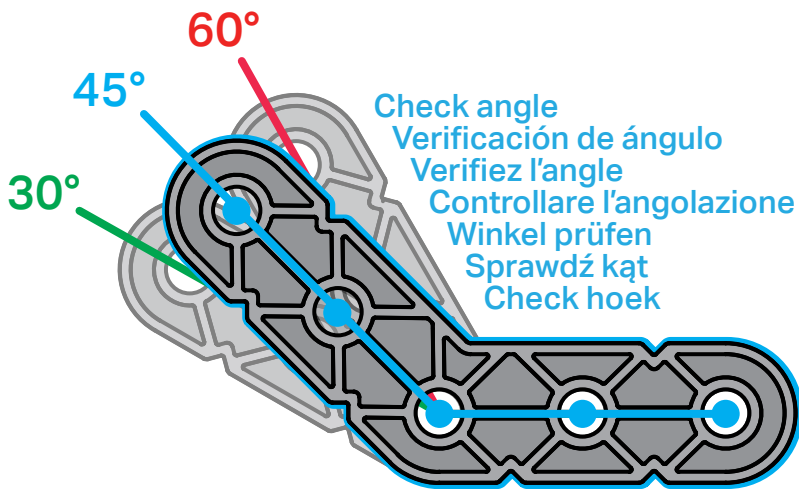
Alternate view  
 Vista alternativa  
 Autre vue  
 Vista alternativa  
 Andere ansicht  
 Widok alternatywny  
 Vitzicht



Size  
 Tamaño  
 Taille  
 Dimensione  
 Größe  
 Rozmiar  
 Grootte

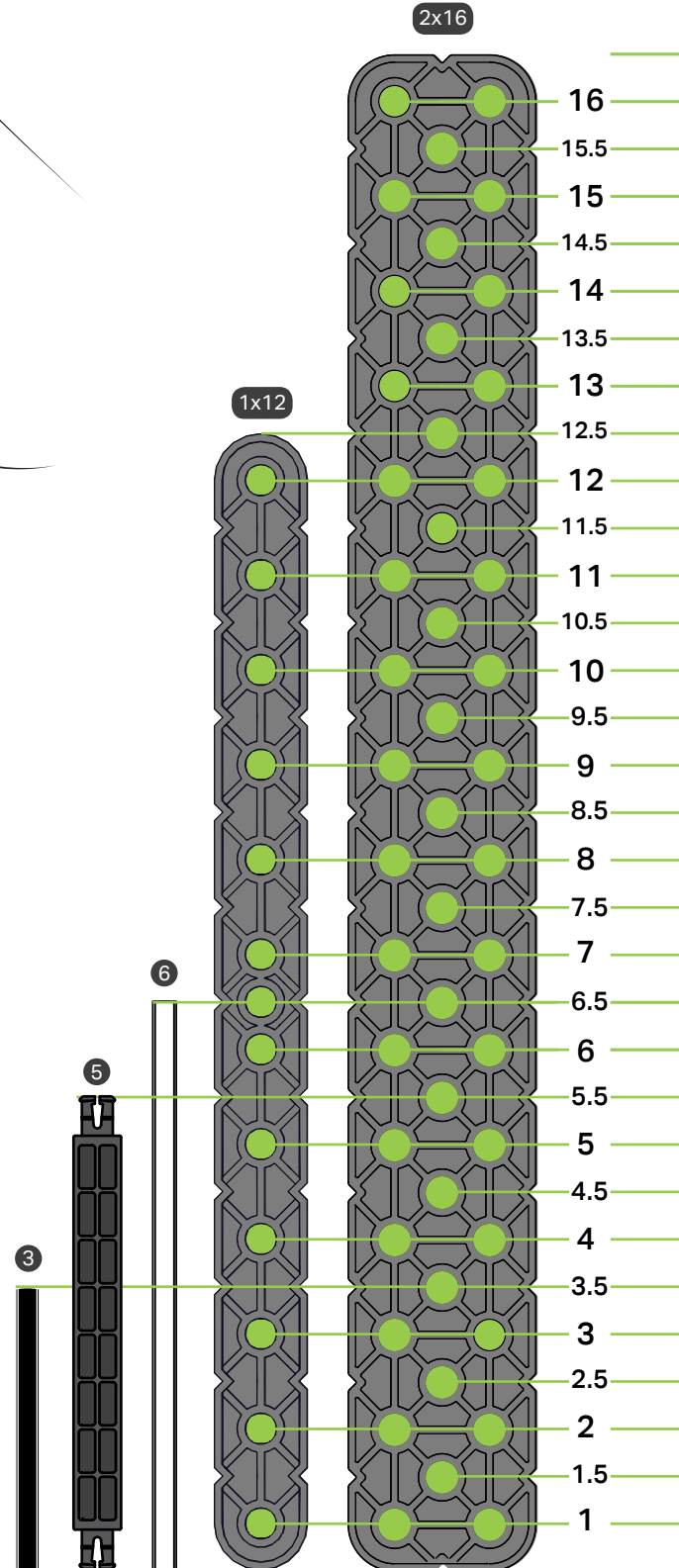


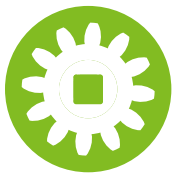
Remove connectors  
 Retirar conectores  
 Retirez connecteurs  
 Rimuovere i connettori  
 Verbindungsstücke entfernen  
 Wyjmij łączniki  
 Verwijder connectors



Check angle  
 Verificación de ángulo  
 Verifiez l'angle  
 Controllare l'angolazione  
 Winkel prüfen  
 Sprawdź kąt  
 Check hoek

		
Notice	Rotate	Flip
Aviso	Girar	Voltear
Avis	Faire tourner	Retourner
Fare attenzione	Ruotare	Capovolgere
Hinweis	Drehen	Umdrehen
Zwróć uwagę	Obróć	Przerzuć
Opmerken	Draaien	Omdraaien





12x 0.25 228-3201-114

2x 228-3201-078

3x 228-3201-081

1x 228-3201-082

2x 228-3201-083

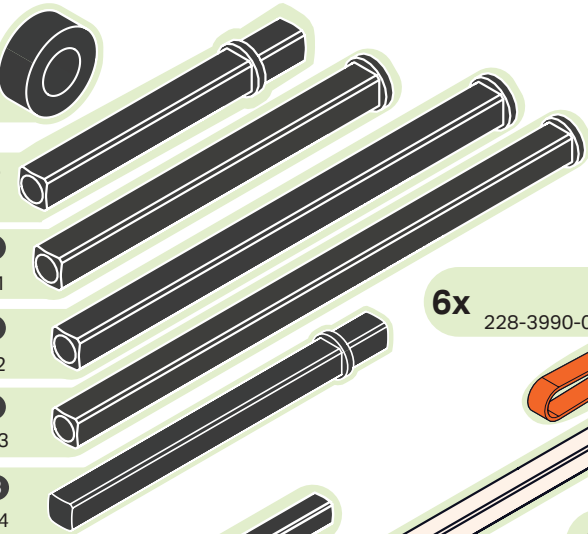
2x 228-3201-094

2x 228-2500-074

2x 228-2500-124

4x 228-3201-125

14x 228-3201-143



6x 228-3990-001

2x 40mm 228-3196-166

2x 30mm 228-3196-165

2x 20mm 228-3196-164

2x 10mm 228-3196-163

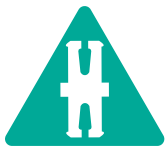
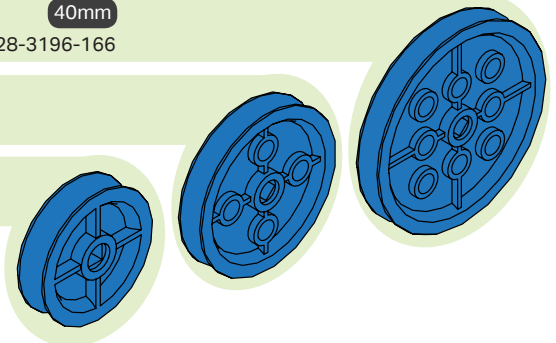
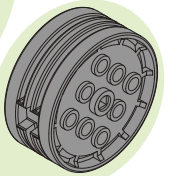
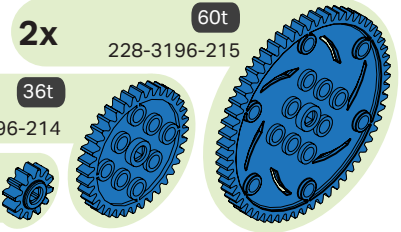
2x 228-3196-215 60t

8x 228-3196-214 36t

2x 228-3196-213 12t

4x 228-2500-209

4x 228-2500-208



118x 1x1 228-3196-060

47x 1x2 228-3196-061

2x 2x2 228-3196-062

9x 0.5 228-3201-064

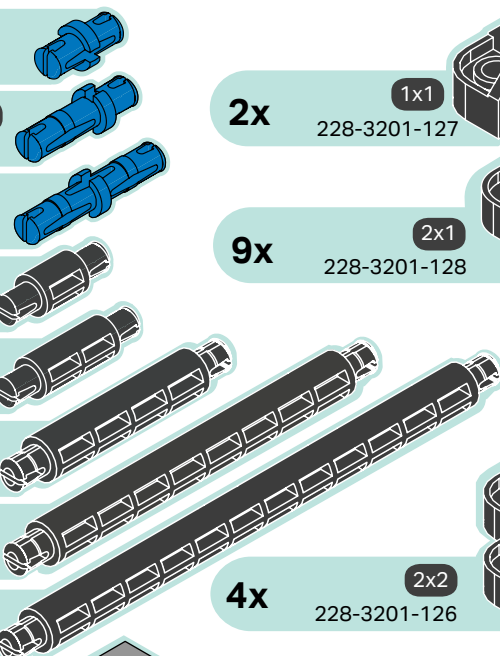
10x 1 228-3201-065

8x 2 228-3201-067

4x 4 228-3201-070

2x 6 228-3201-072

7x 228-3616-170



2x 1x1 228-3201-127

9x 2x1 228-3201-128

4x 2x2 228-3201-126

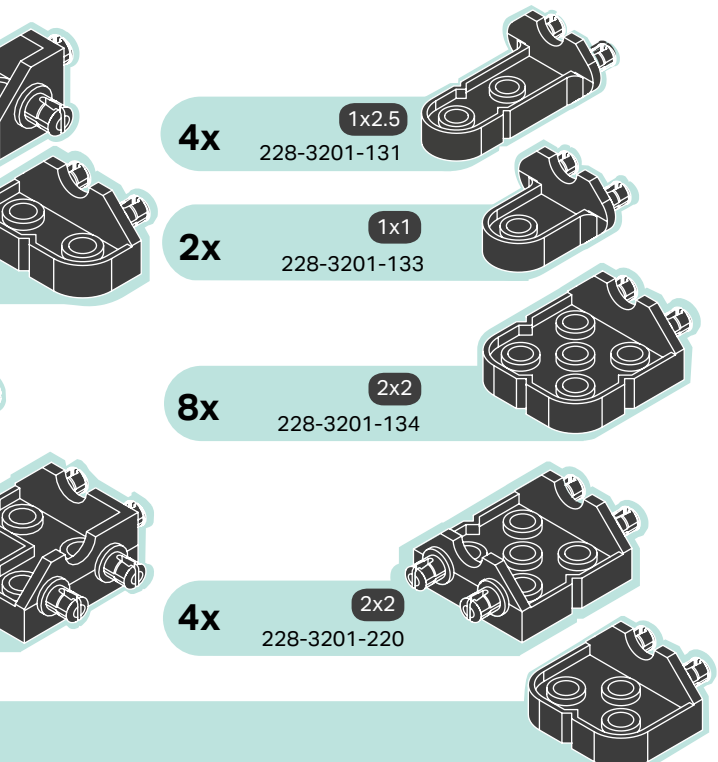
3x 2x1.5 228-3201-135

4x 1x2.5 228-3201-131

2x 1x1 228-3201-133

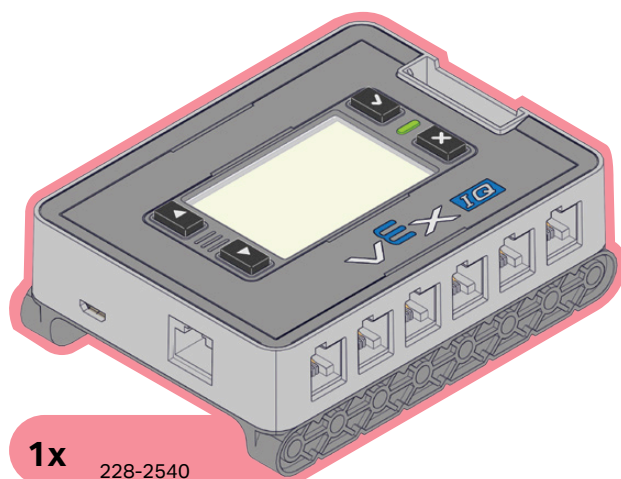
8x 2x2 228-3201-134

4x 2x2 228-3201-220

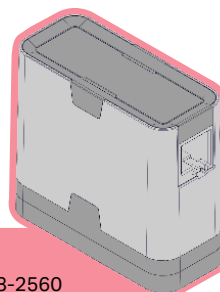




- 2x 228-3616-002 (1x3)
- 4x 228-3616-003 (1x4)
- 2x 228-3616-007 (1x8)
- 1x 228-3616-009 (1x10)
- 2x 228-3616-011 (1x12)
- 1x 228-3616-030 (2x20)
- 4x 228-3616-028 (2x16)
- 6x 228-3616-026 (2x12)
- 4x 228-3616-025 (2x10)
- 6x 228-3616-023 (2x8)
- 5x 228-3616-021 (2x6)
- 4x 228-3616-019 (2x4)
- 3x 228-3616-017 (2x2)
- 4x 228-3616-149 (60°)
- 2x 228-3616-147 (30°)
- 2x 228-3616-145 (2x3)



1x 228-2540



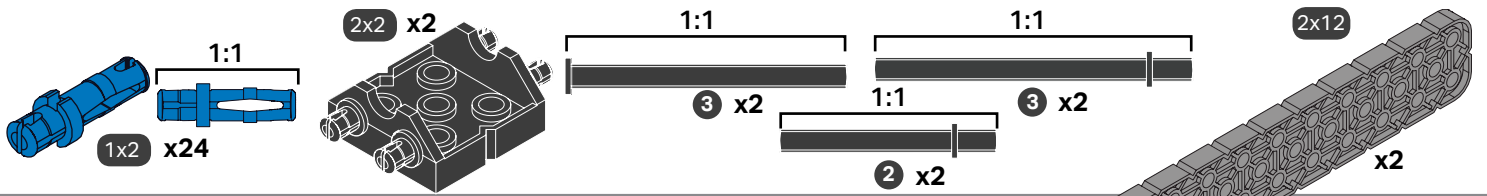
4x 228-2560

2x 228-2780-001 (200mm)

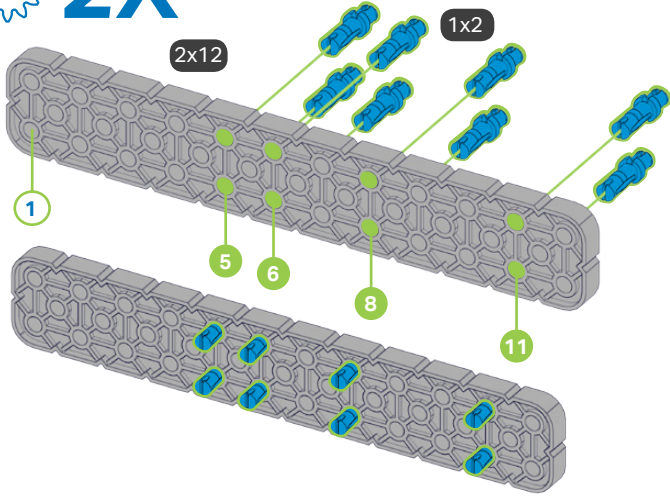
1x 228-2780-002 (300mm)

1x 228-2780-004 (600mm)

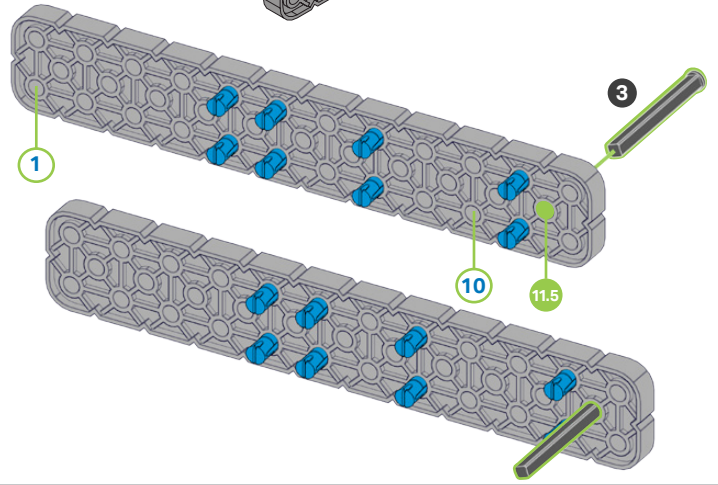




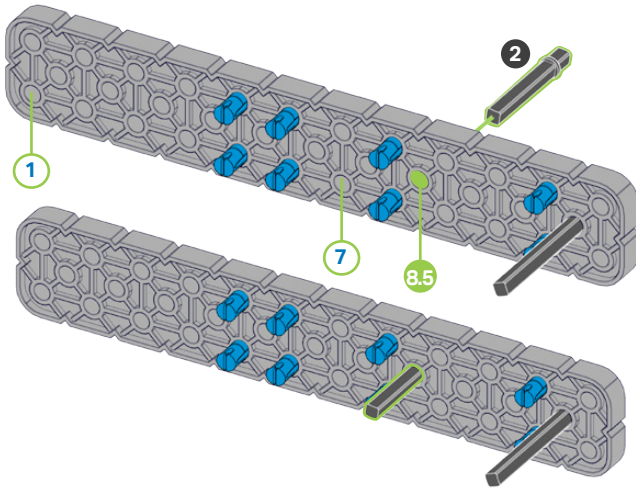
# 1 2X



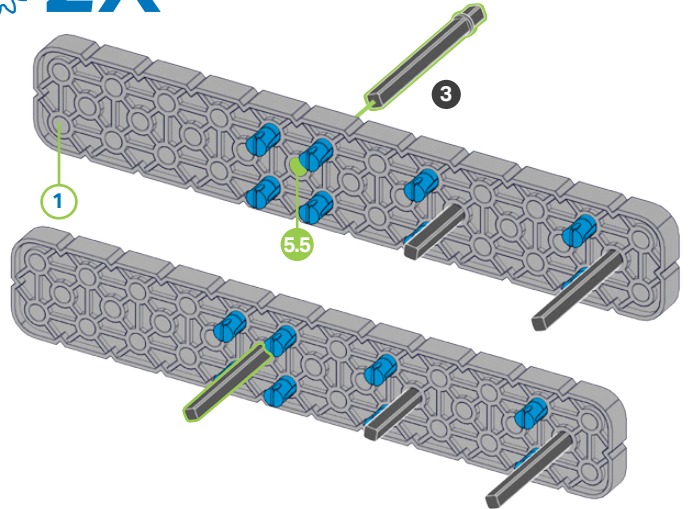
# 2 2X



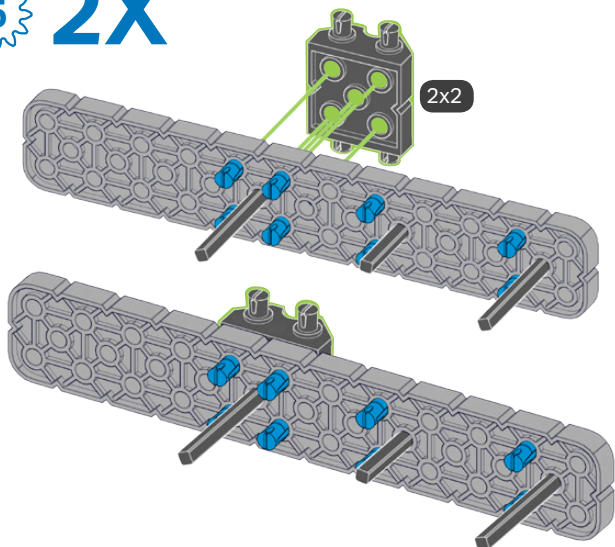
# 3 2X



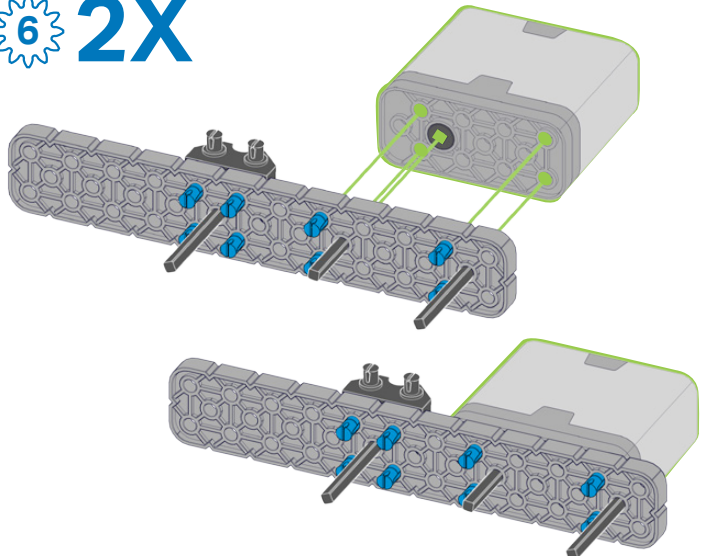
# 4 2X

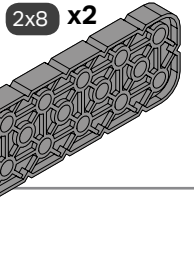
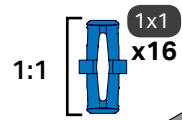
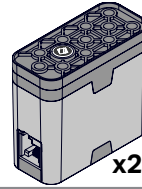
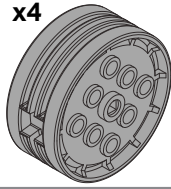
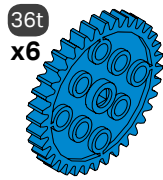
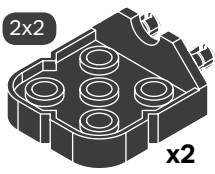


# 5 2X

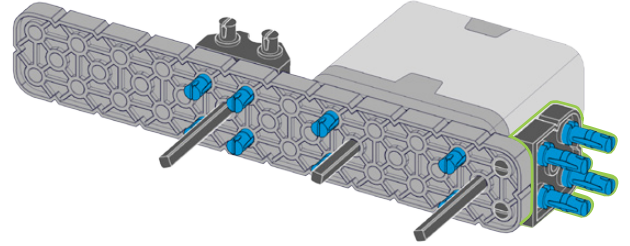
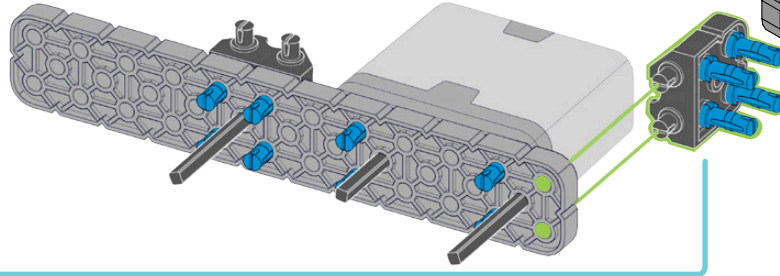
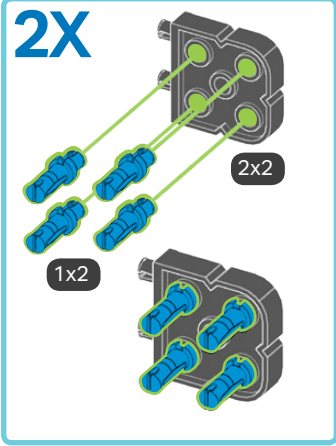


# 6 2X

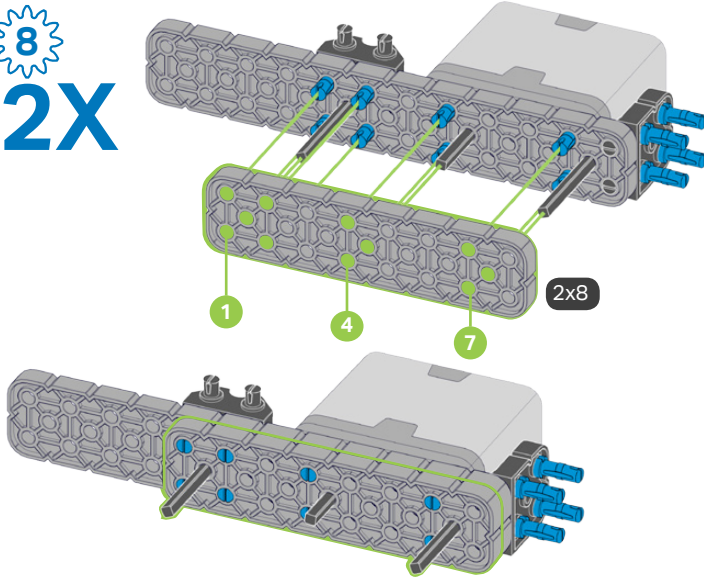




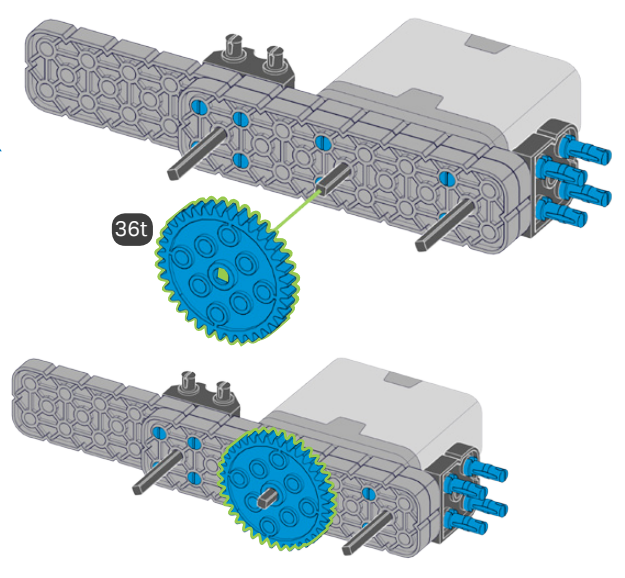
# 7 2X



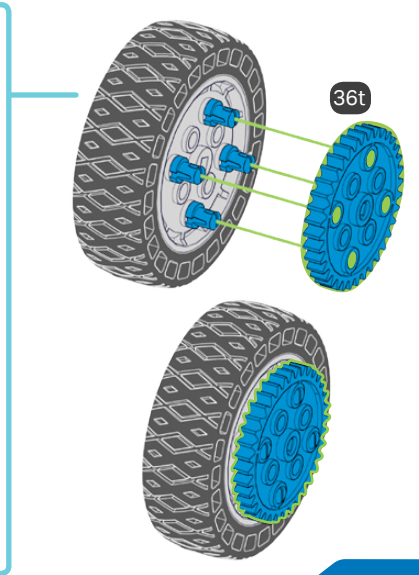
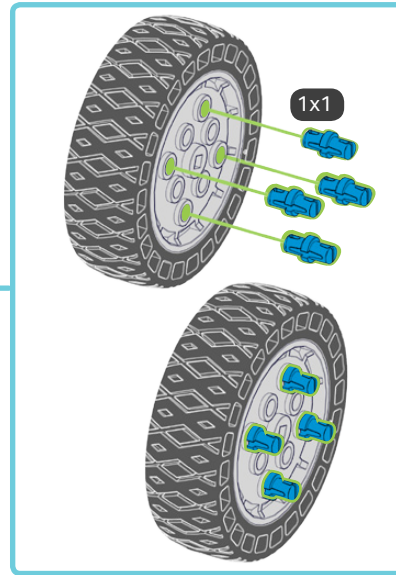
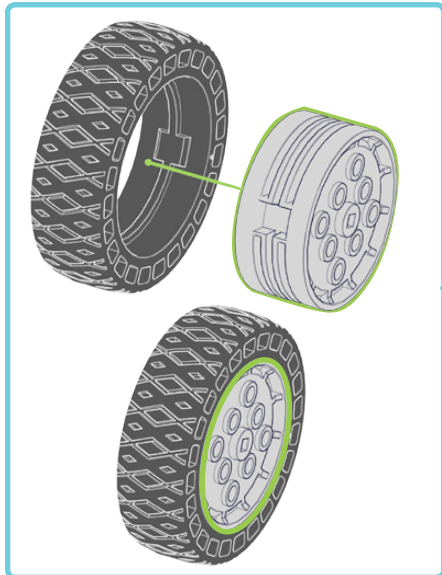
# 8 2X



# 9 2X



# 10 4X



11

2X

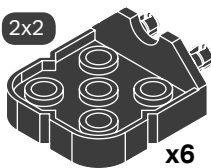
2x10 x3

1:1

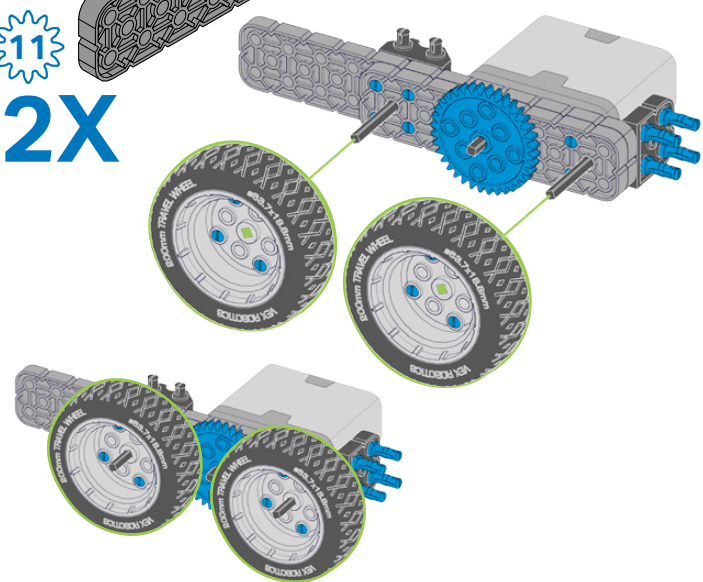


1x1 x16

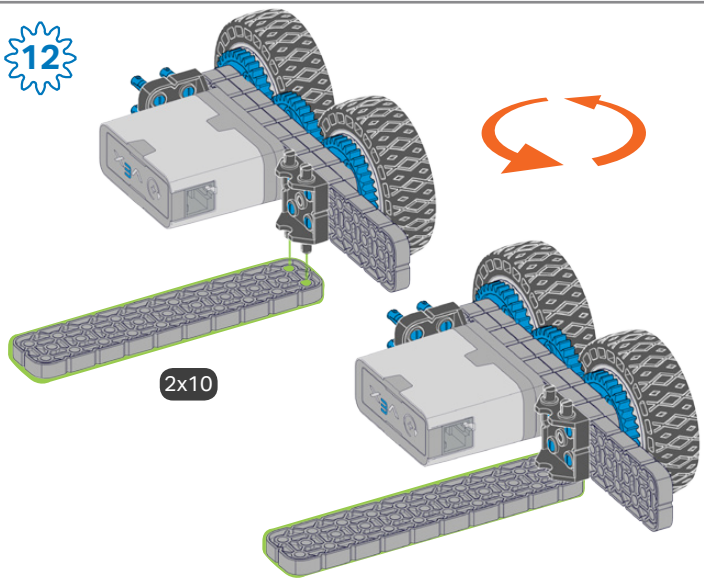
2x2



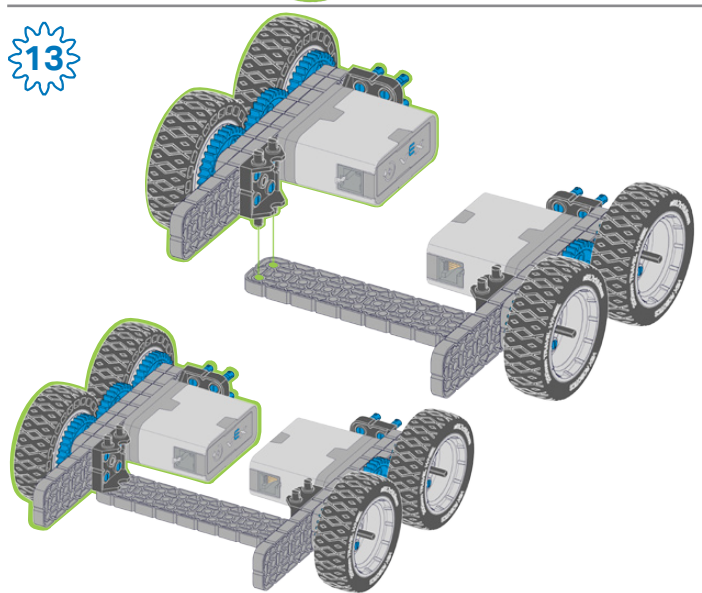
x6



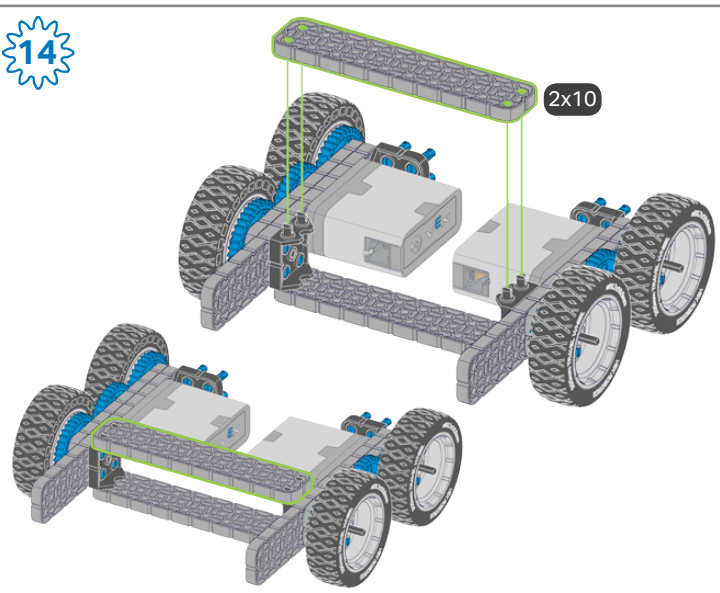
12



13

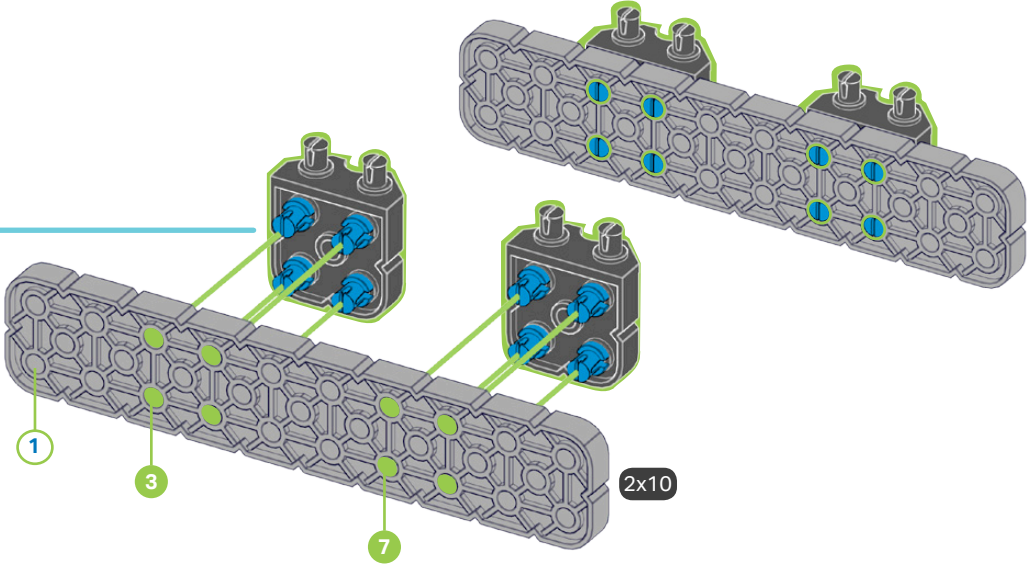
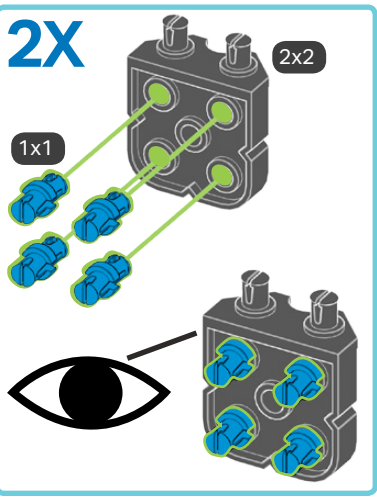


14

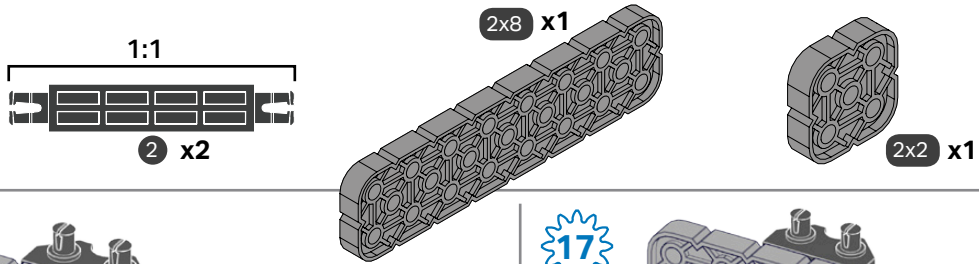


15

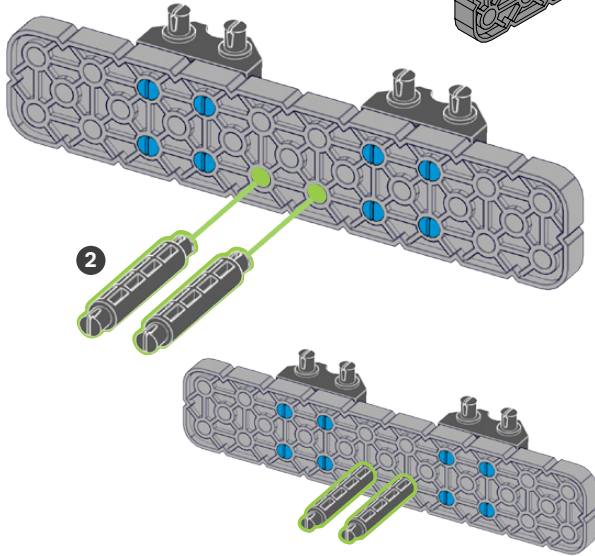
2X



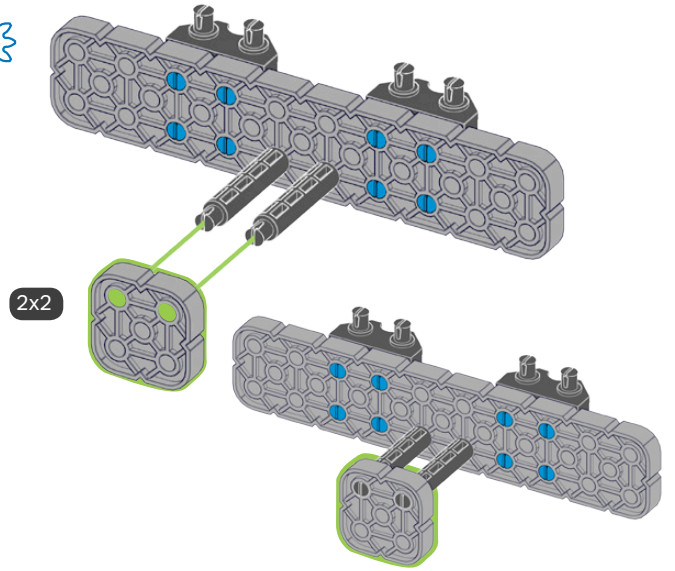




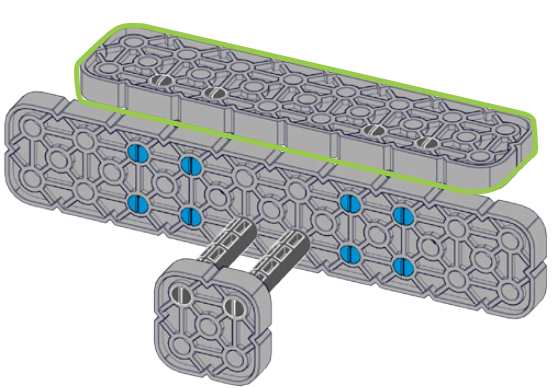
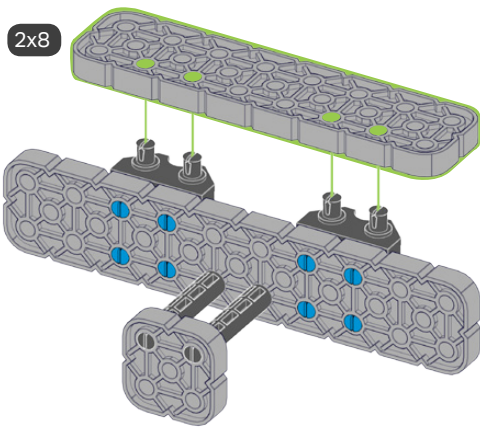
16



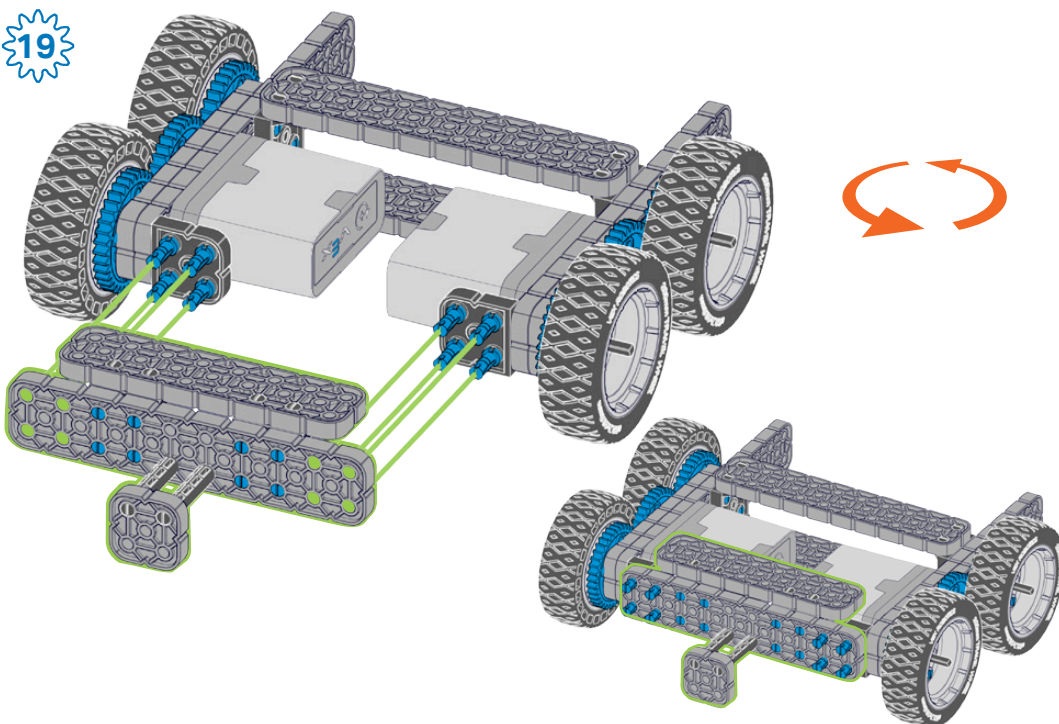
17



18

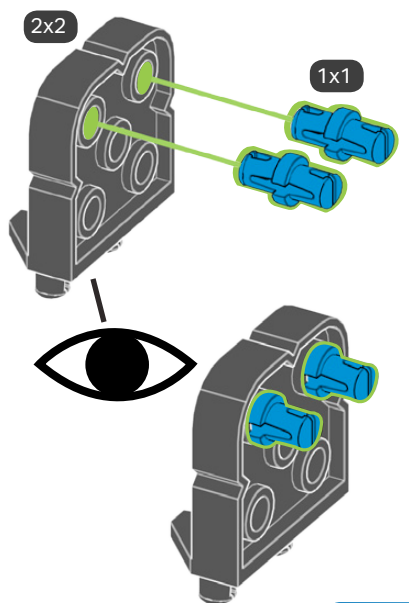


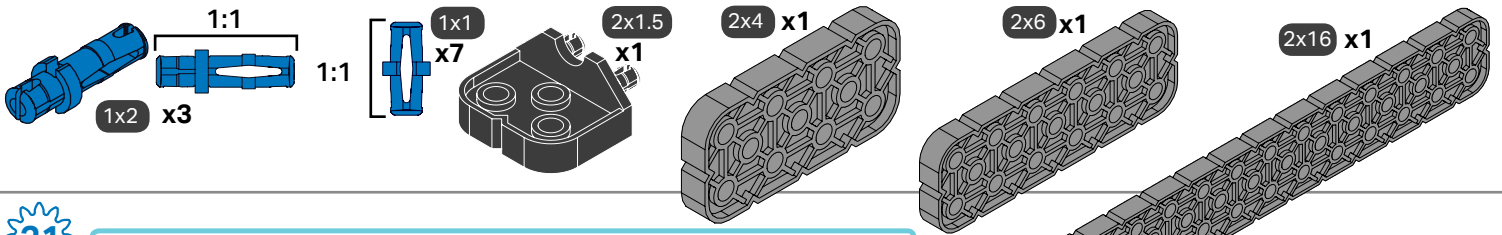
19



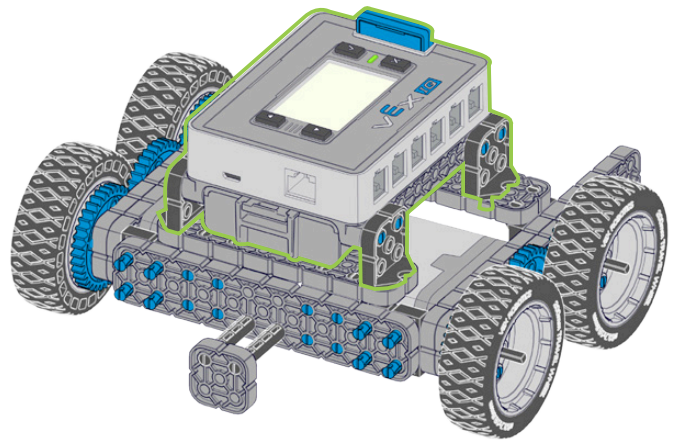
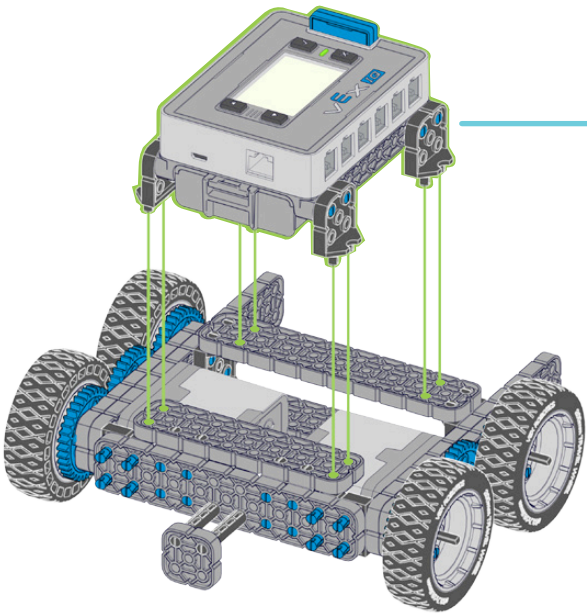
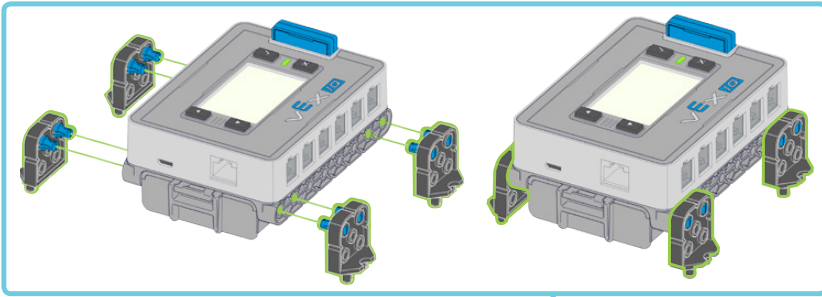
20

4X

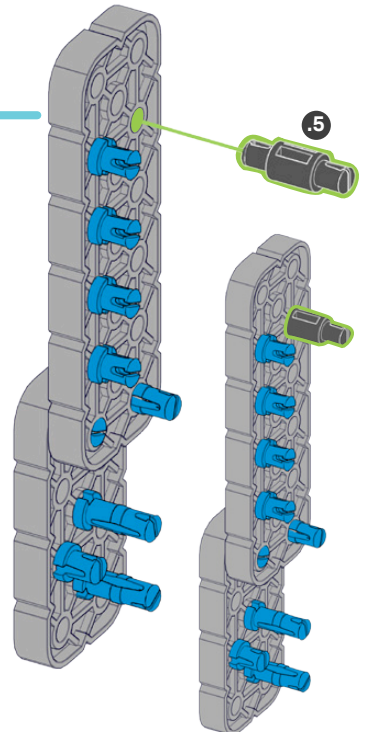
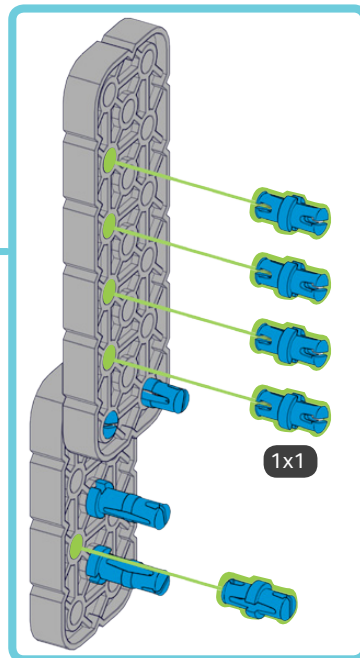
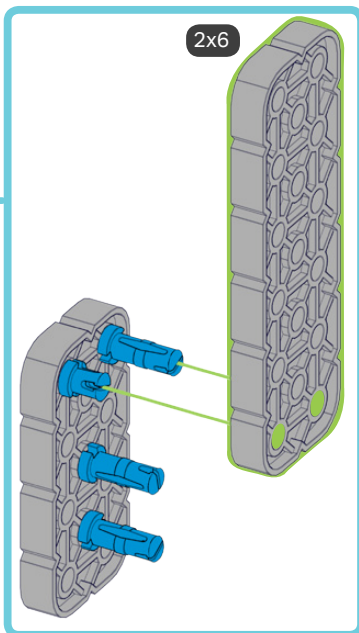
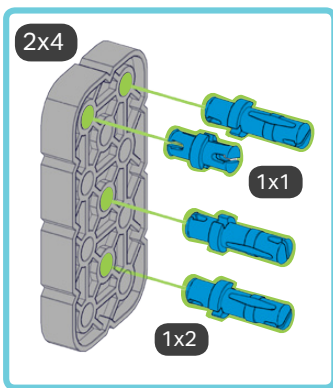


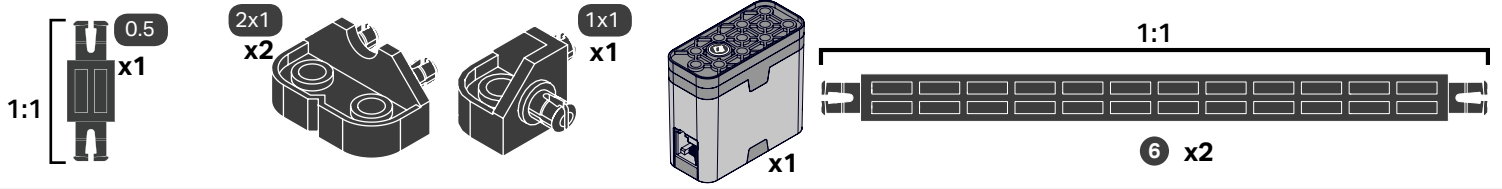


21

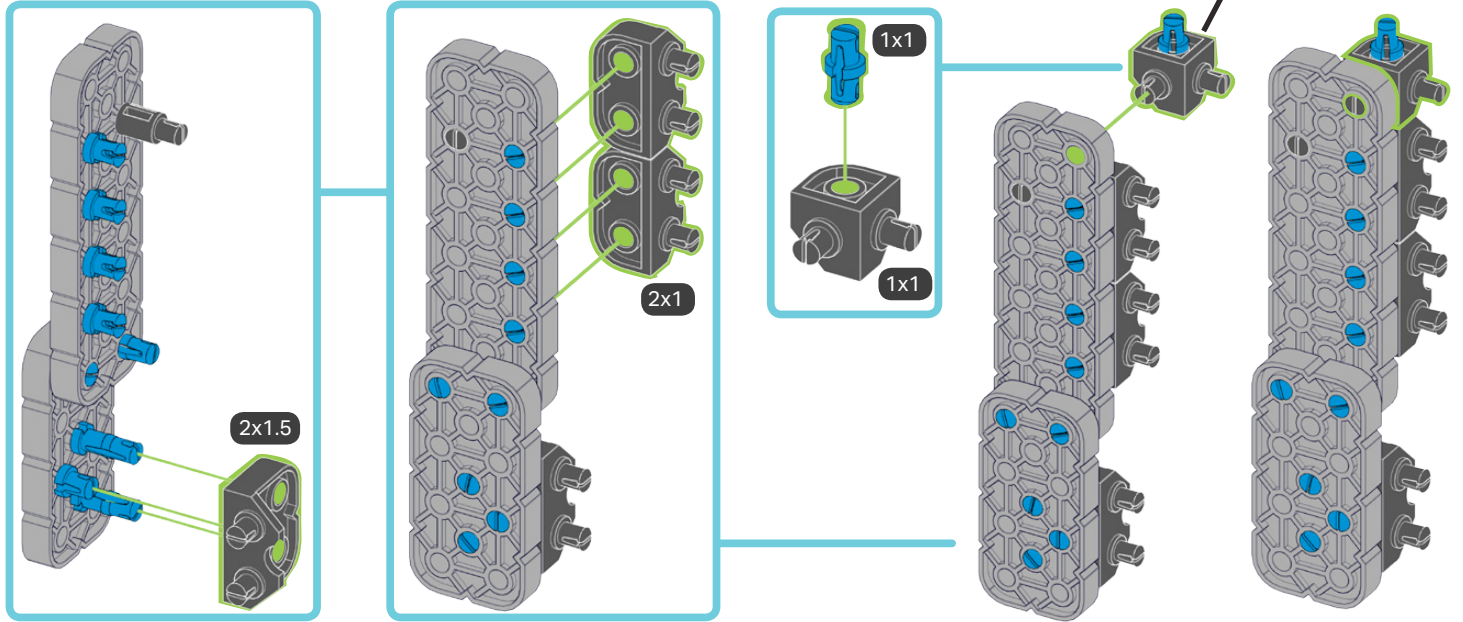


22

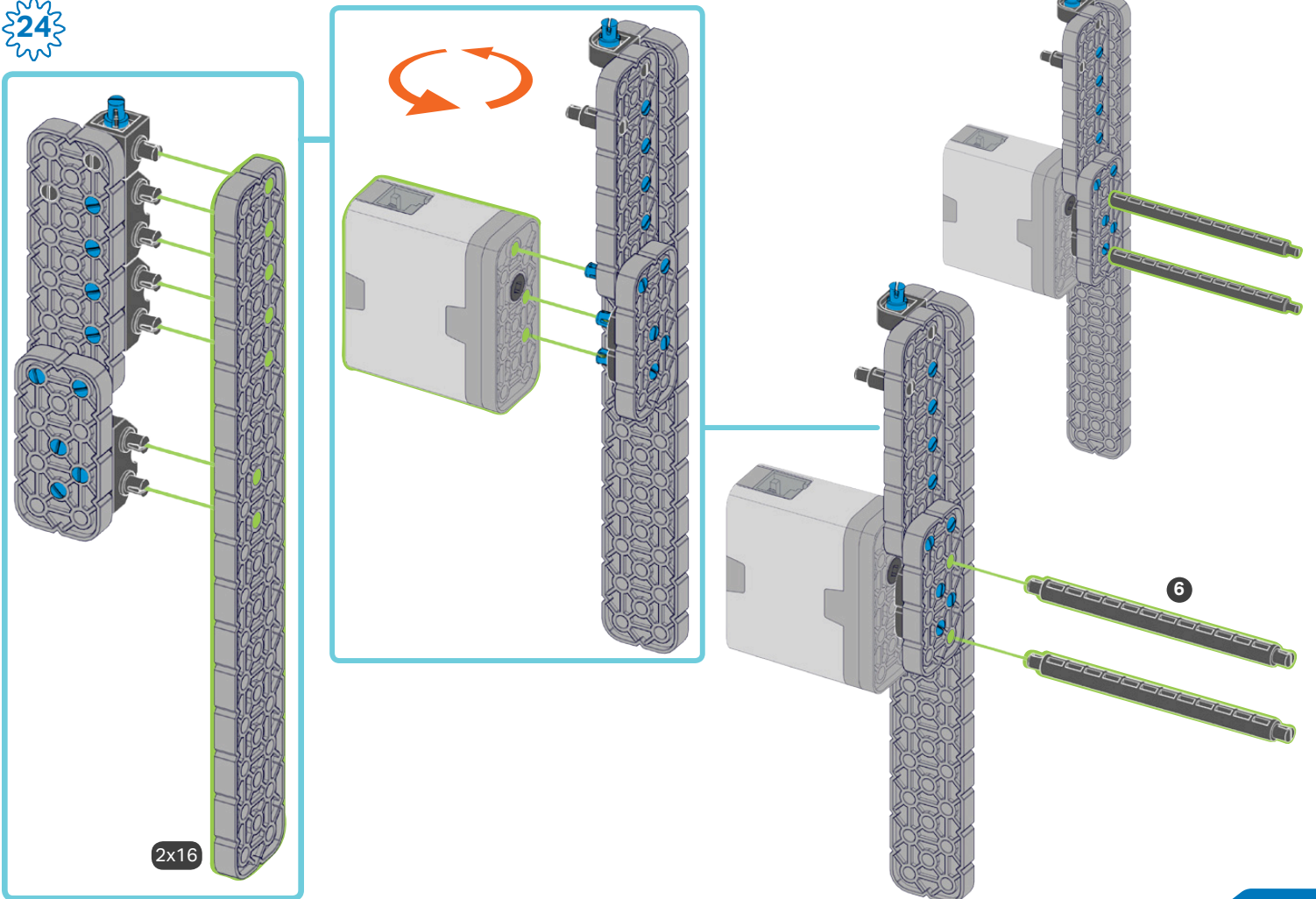


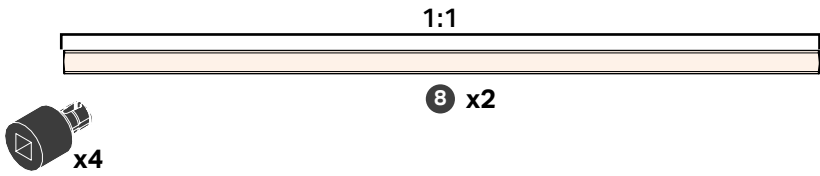
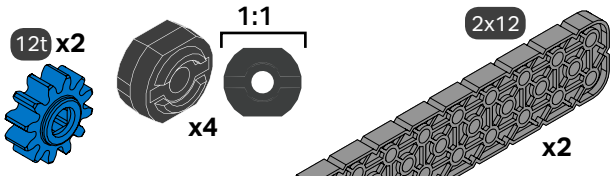


23

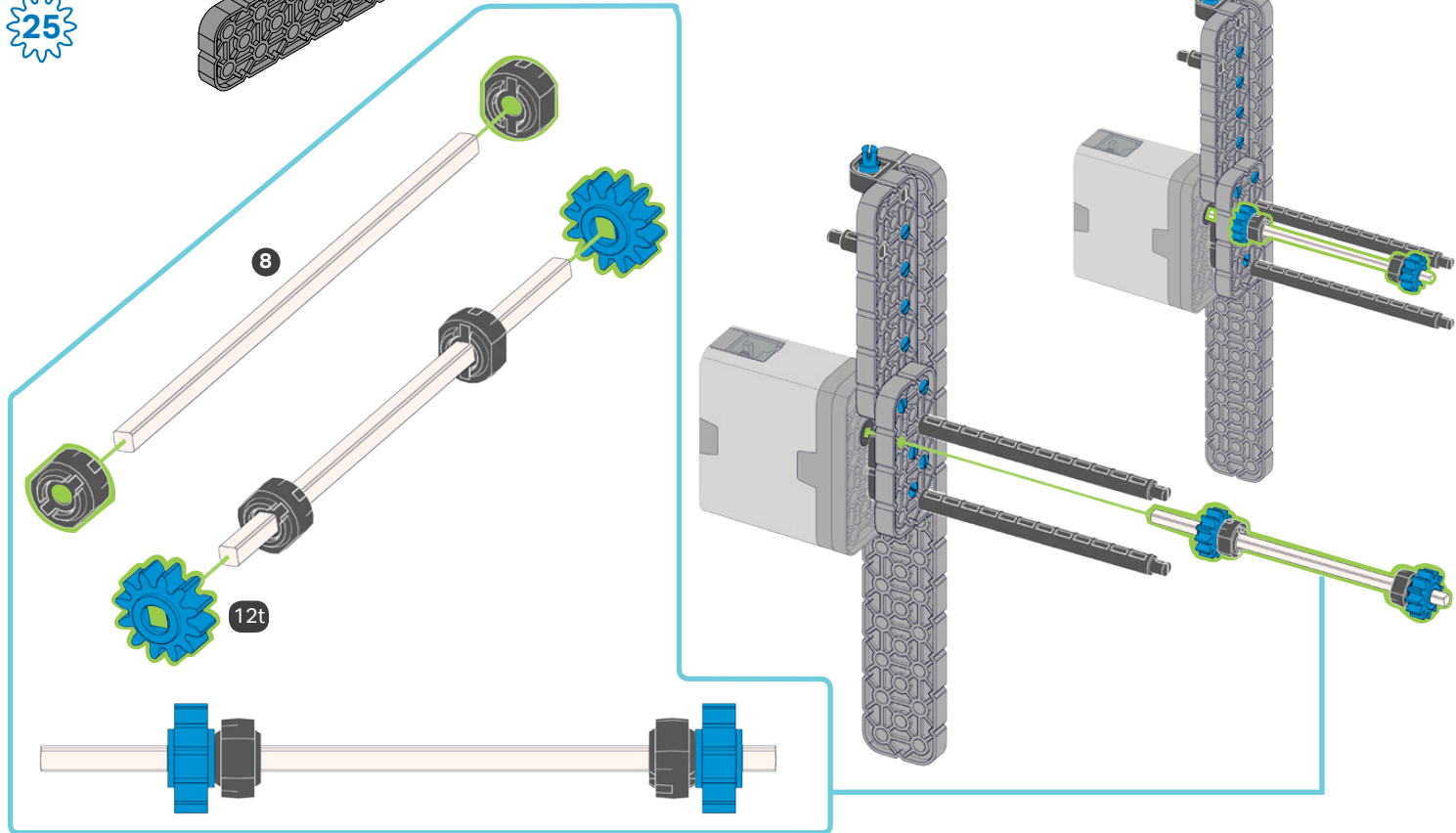


24

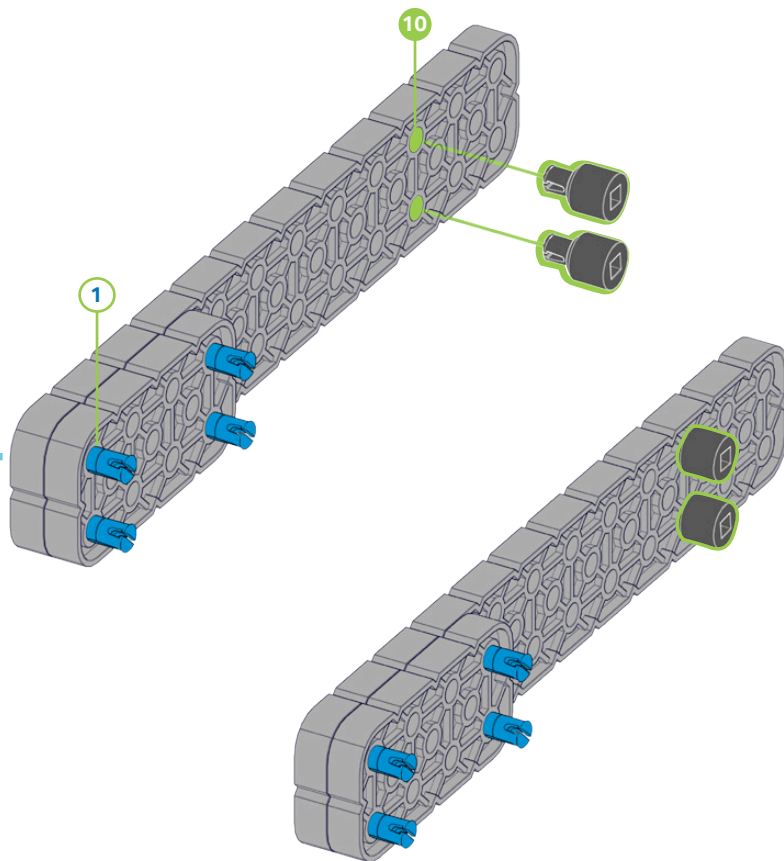
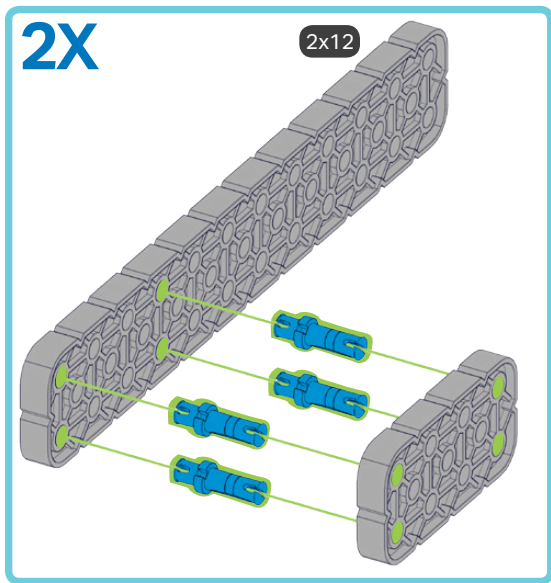


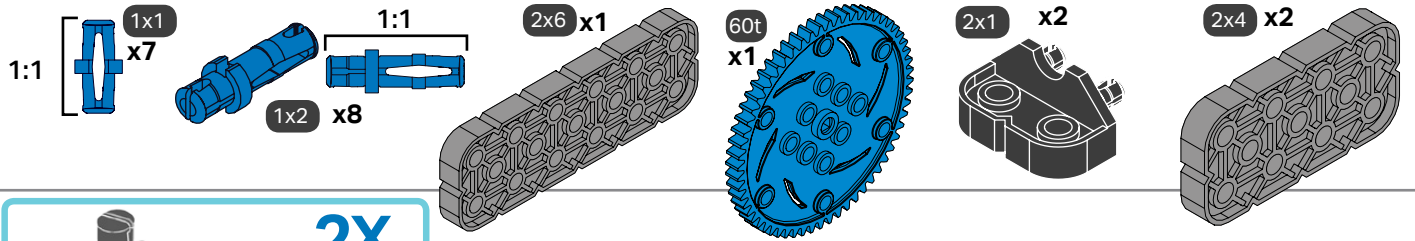


25

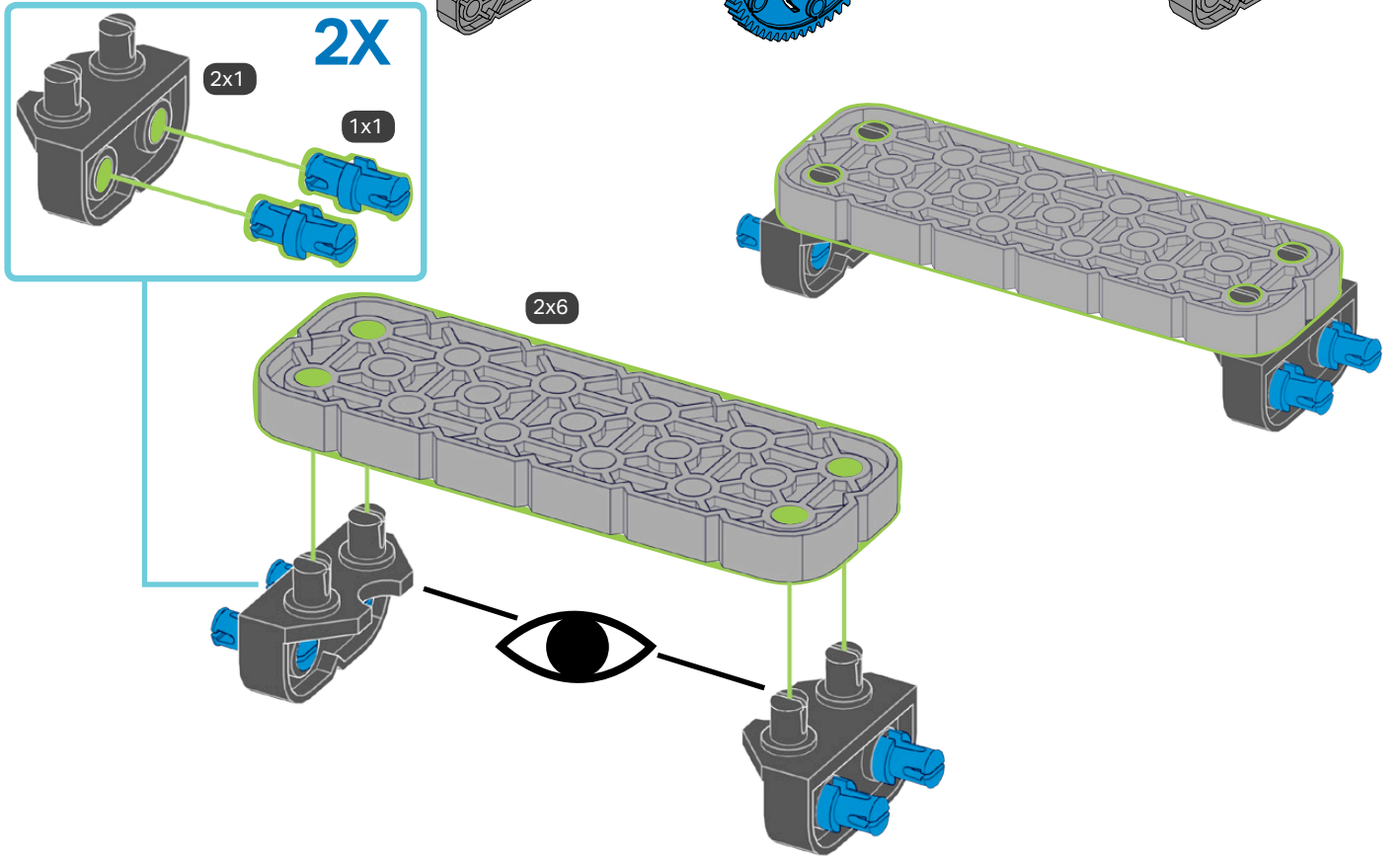


26 2X

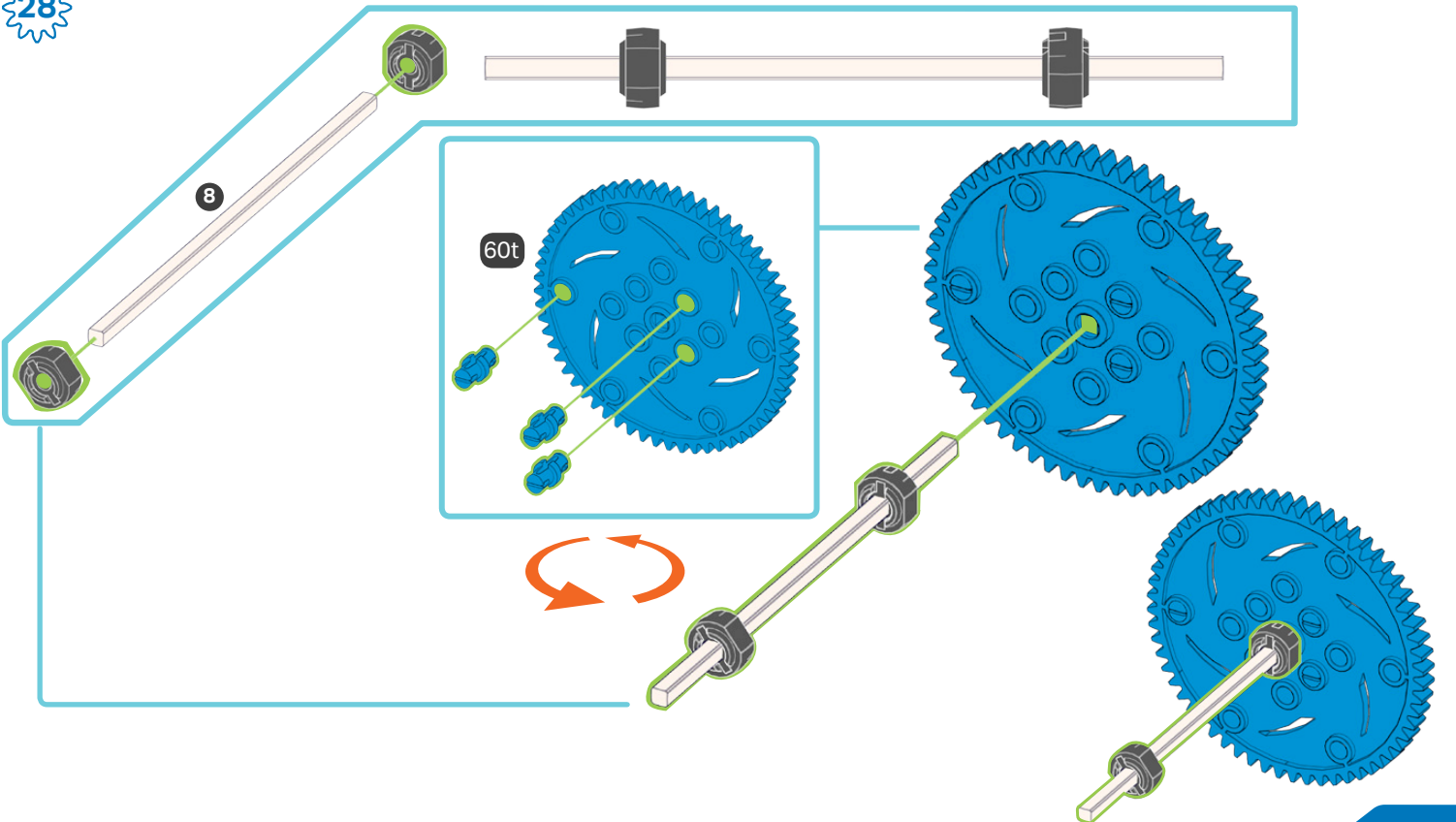


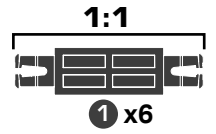
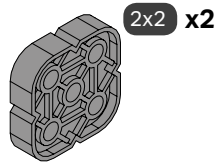
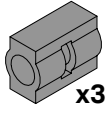
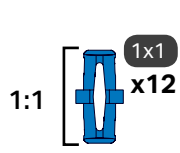
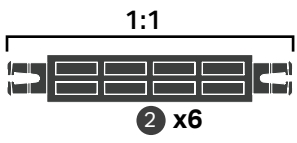


27



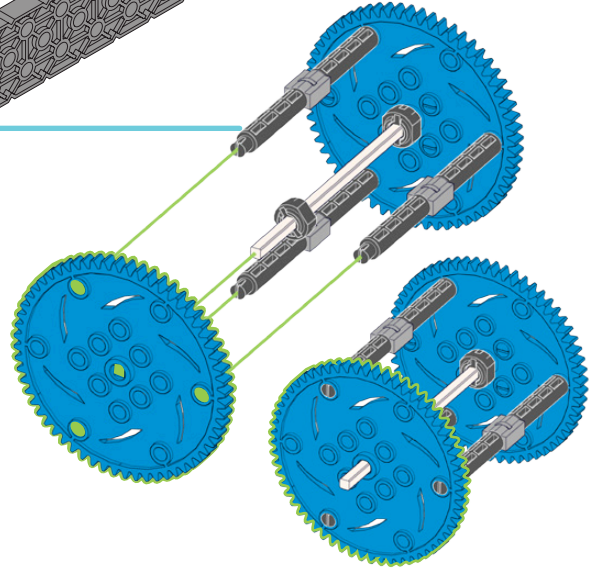
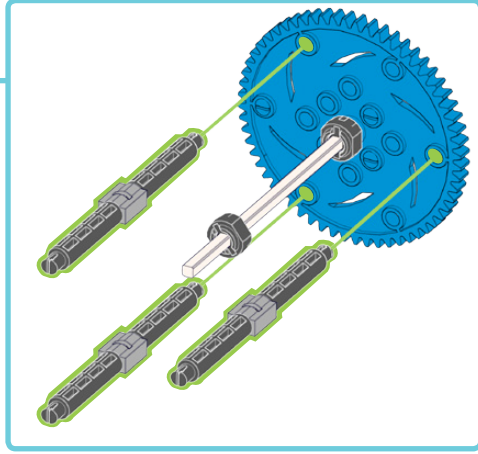
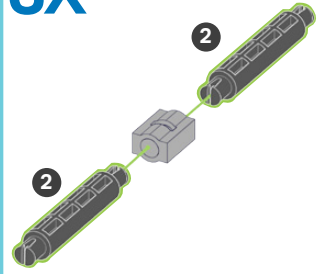
28



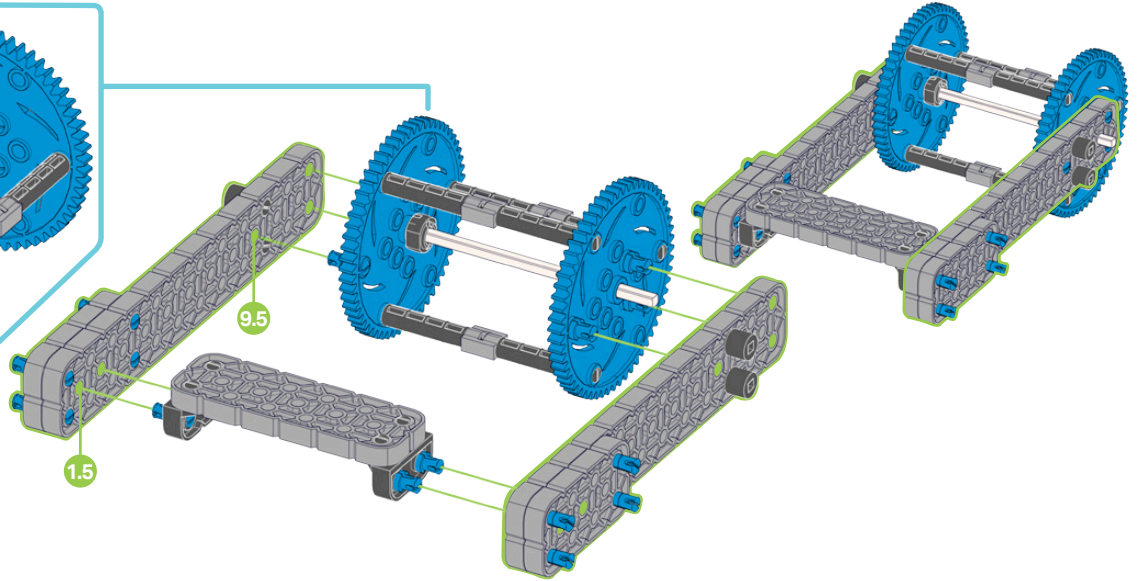
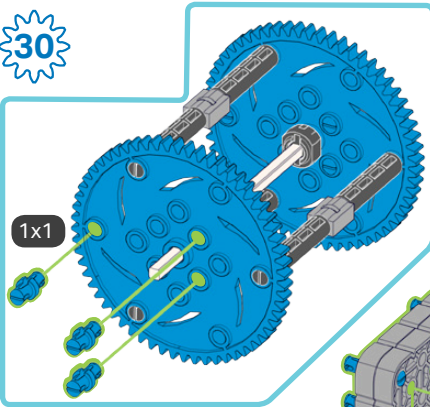


29

3X

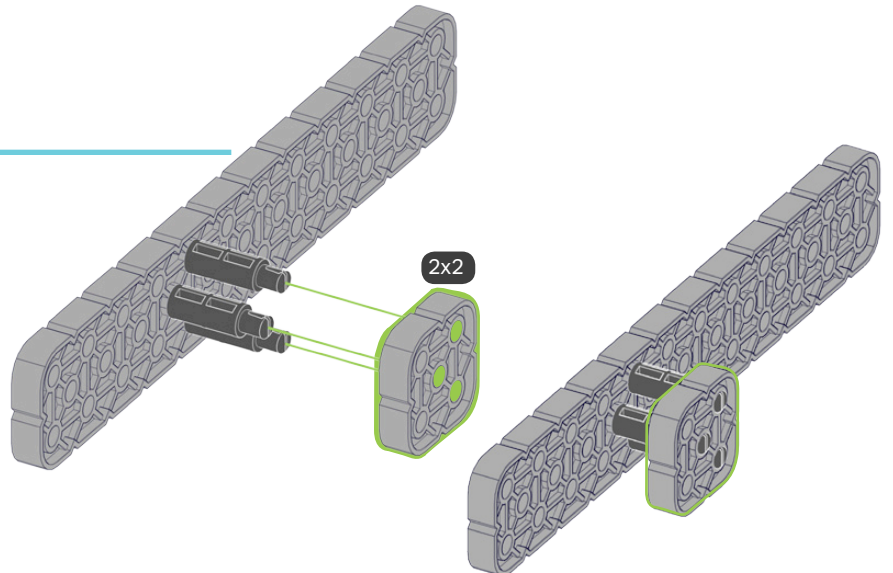
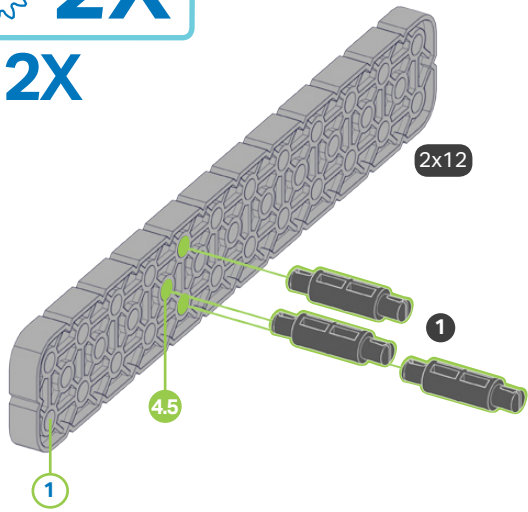


30

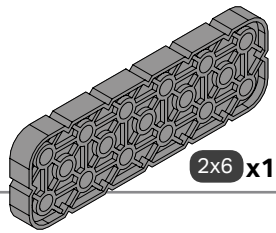


31 2X

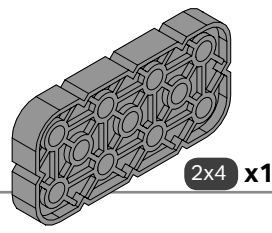
2X



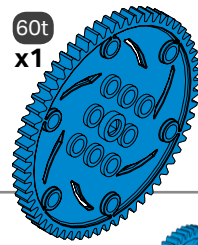
32



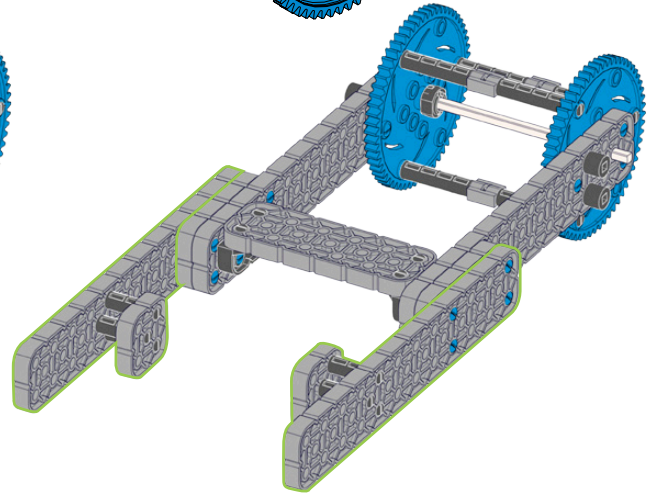
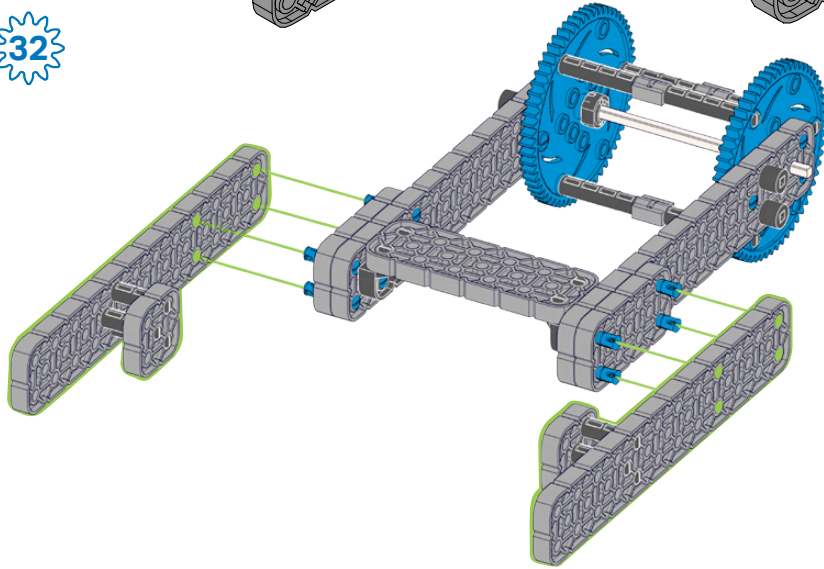
2x6 x1



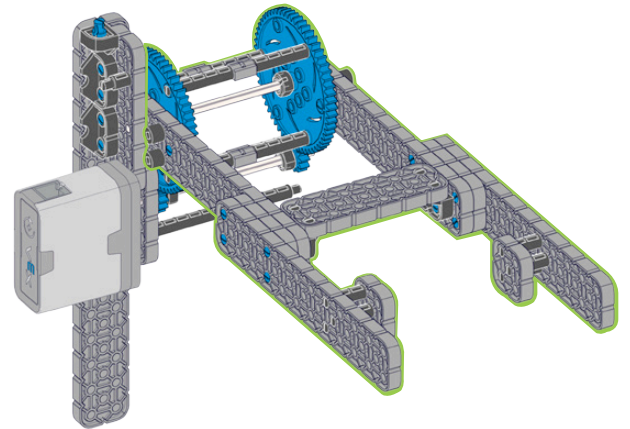
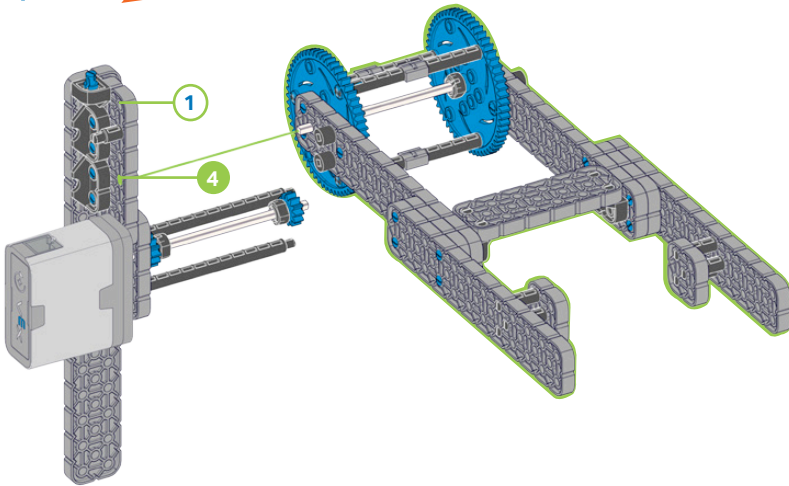
2x4 x1



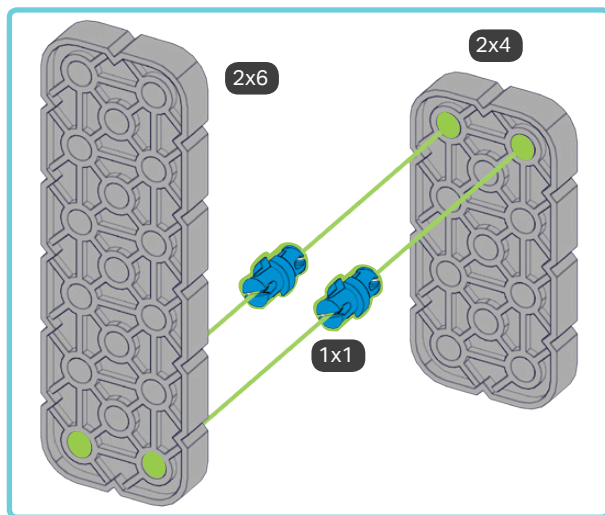
60t  
x1



33



34

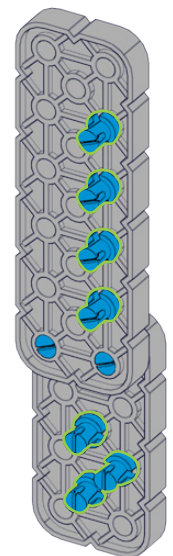
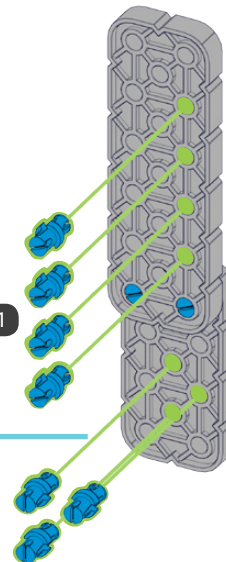


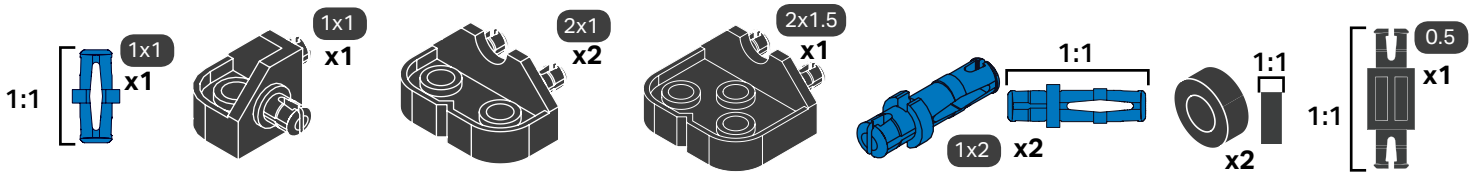
2x6

2x4

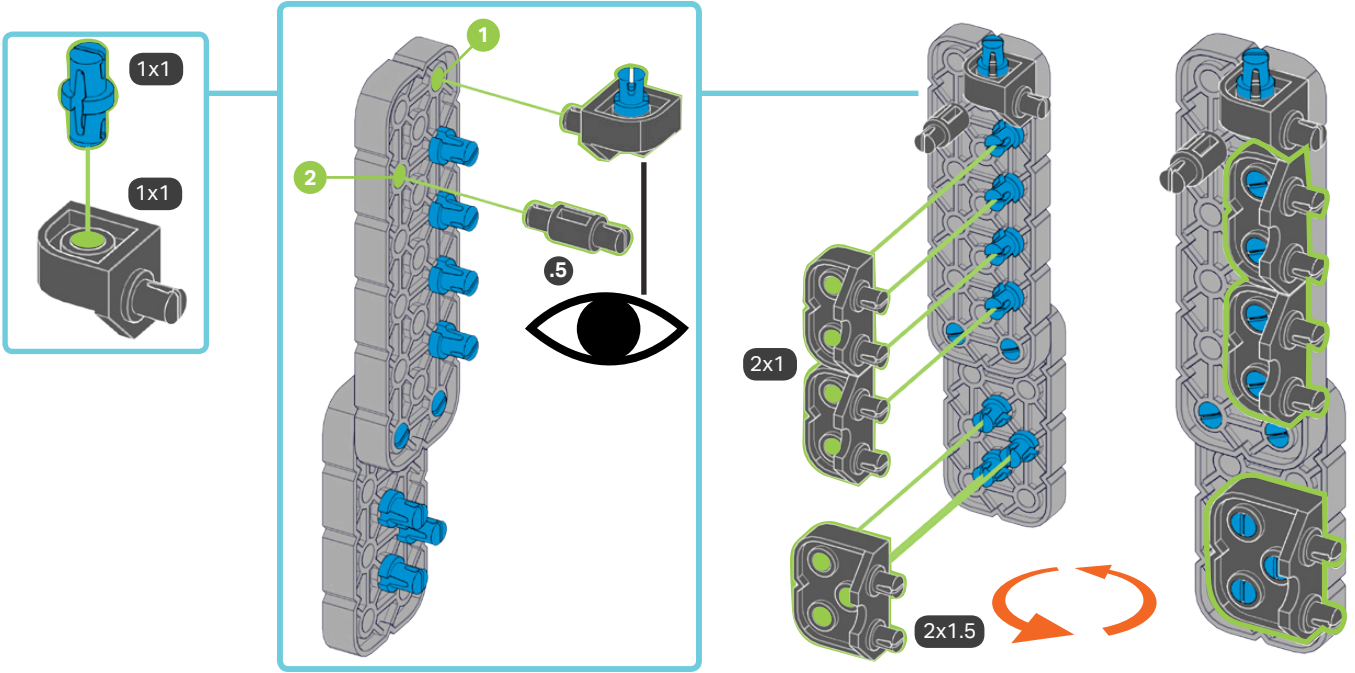
1x1

1x1

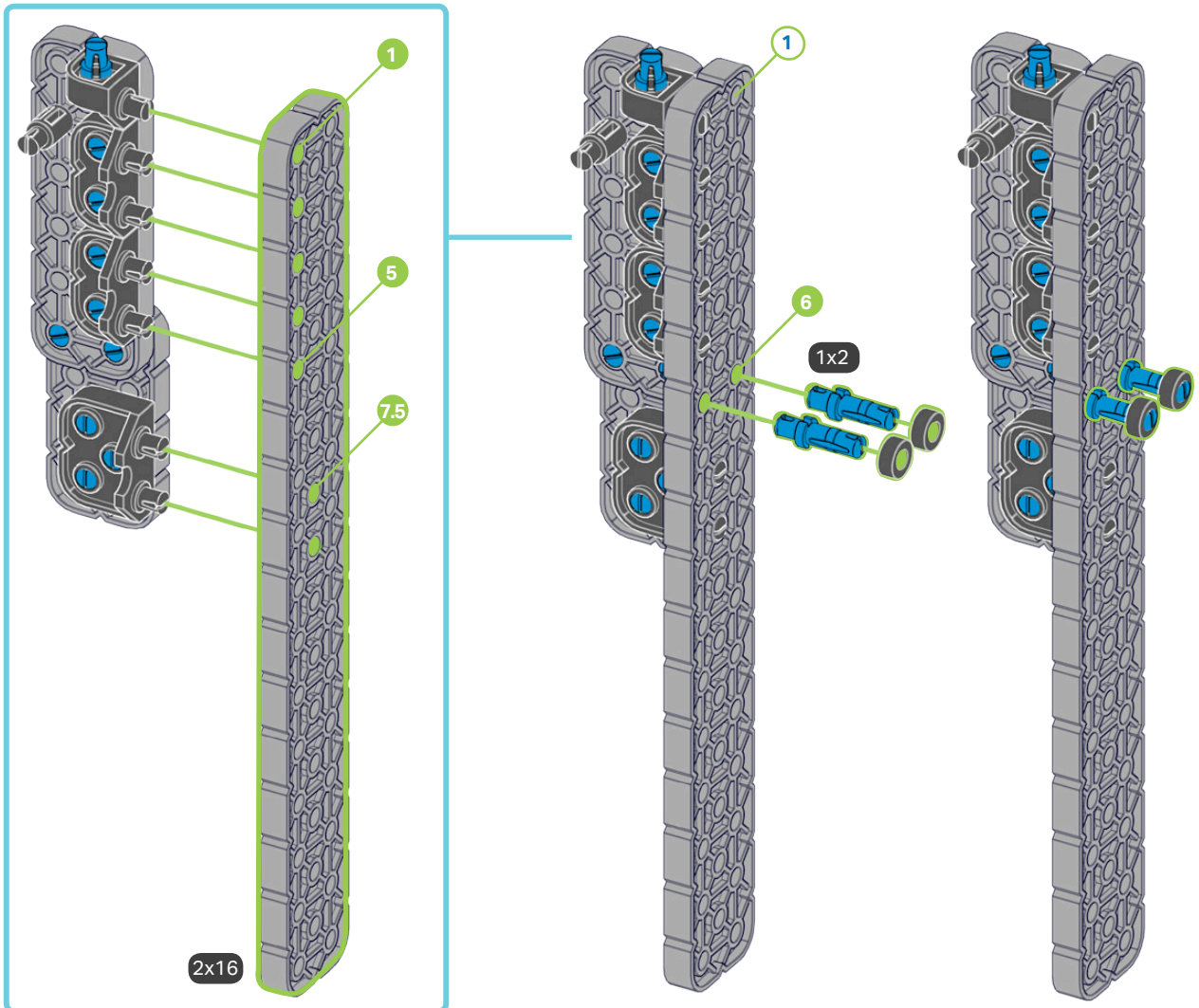




35

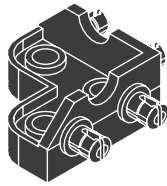


36

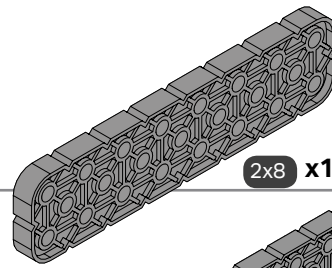




2x2  
x4

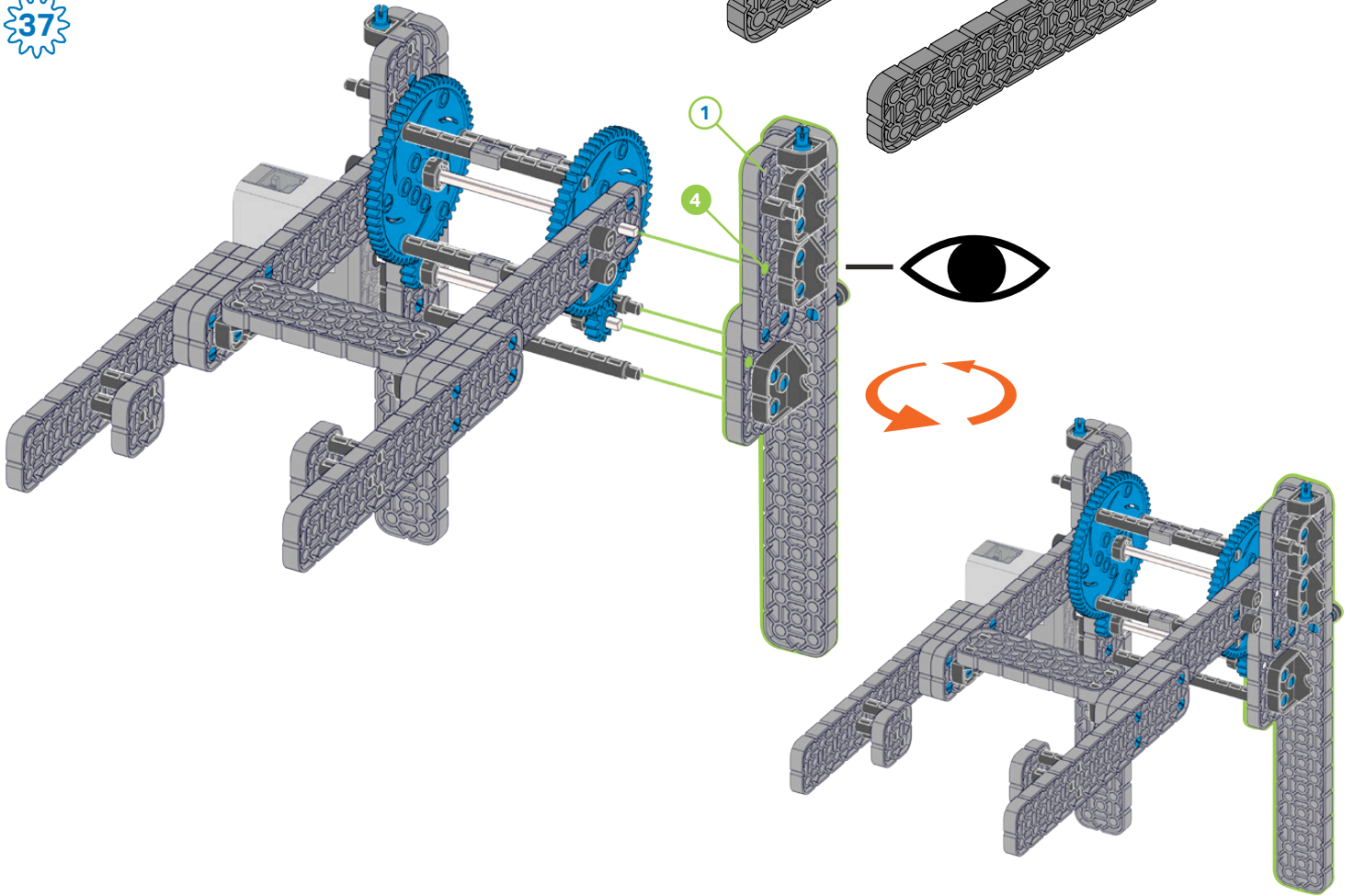


2x16  
x1

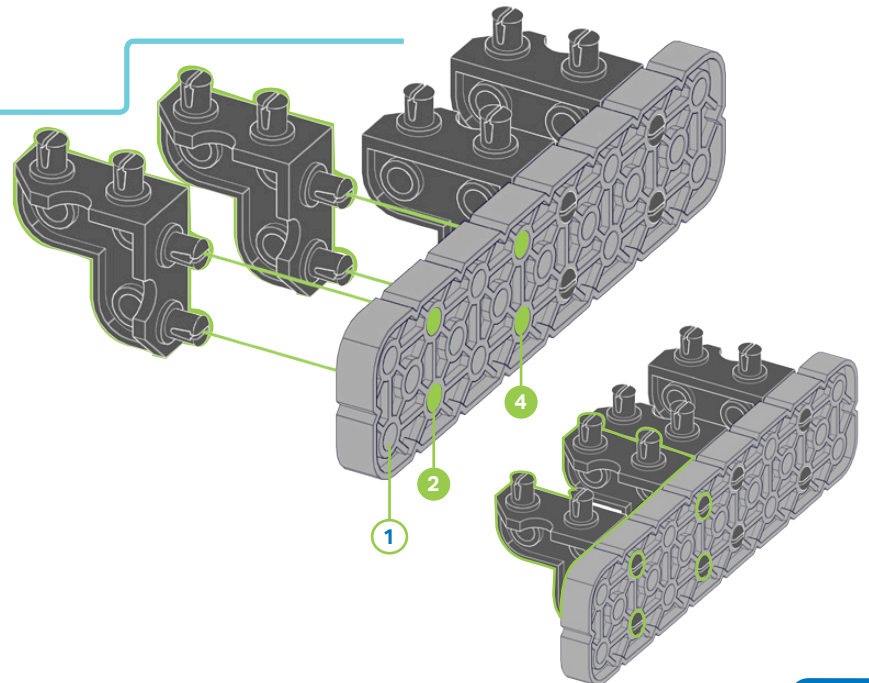
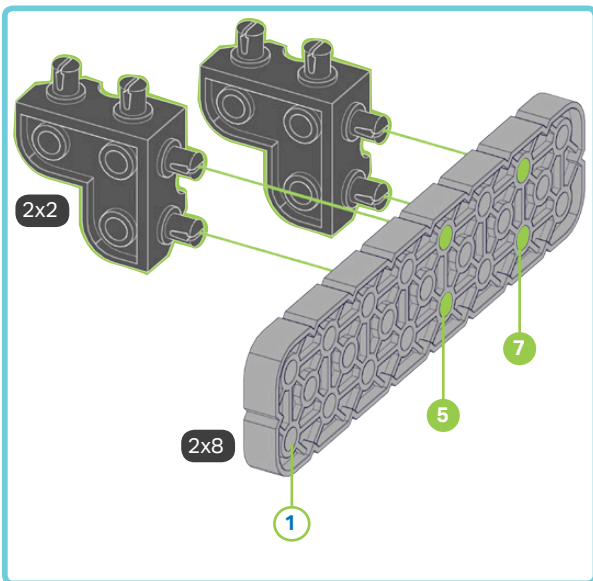


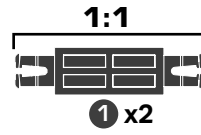
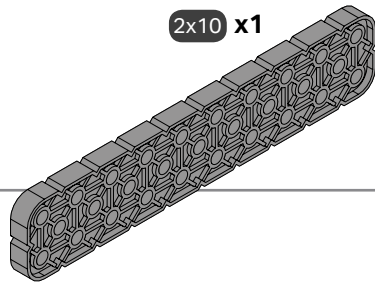
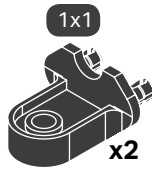
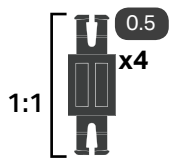
2x8  
x1

37

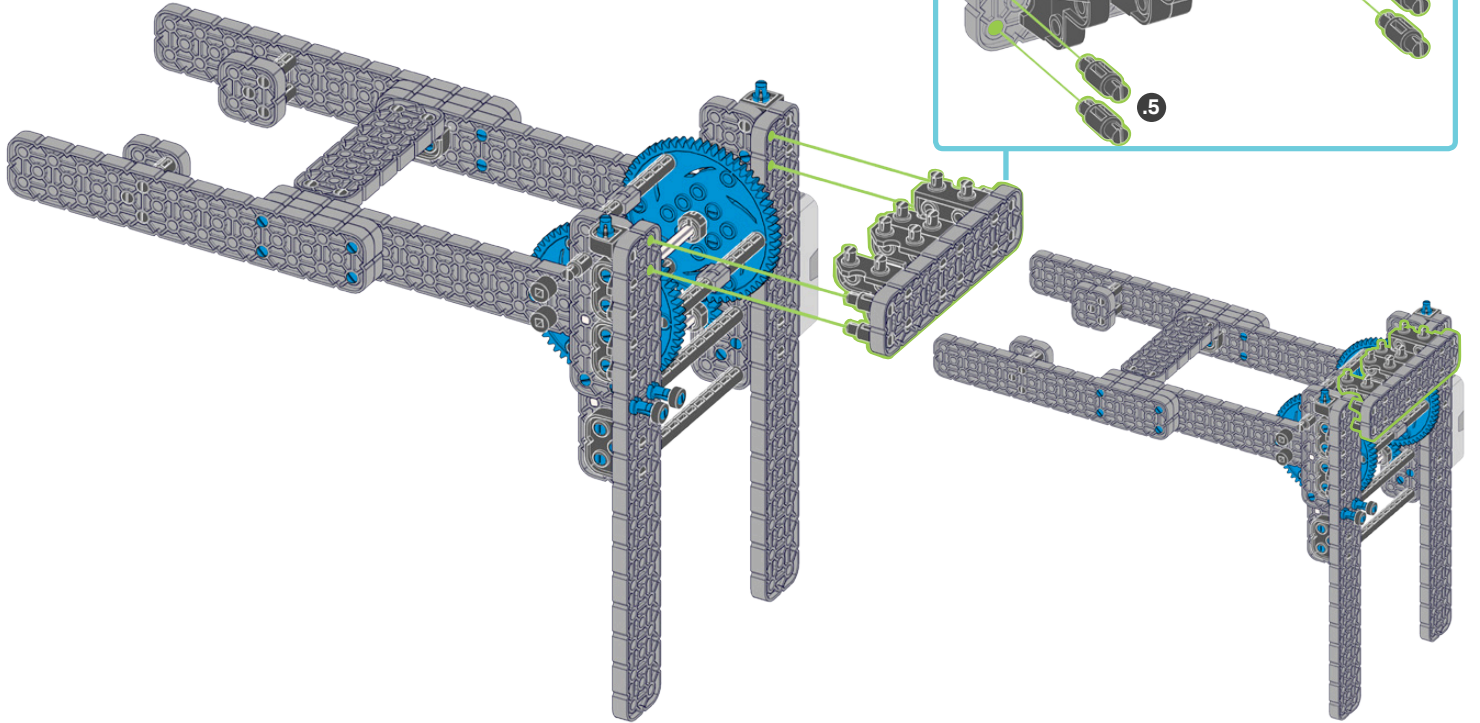


38

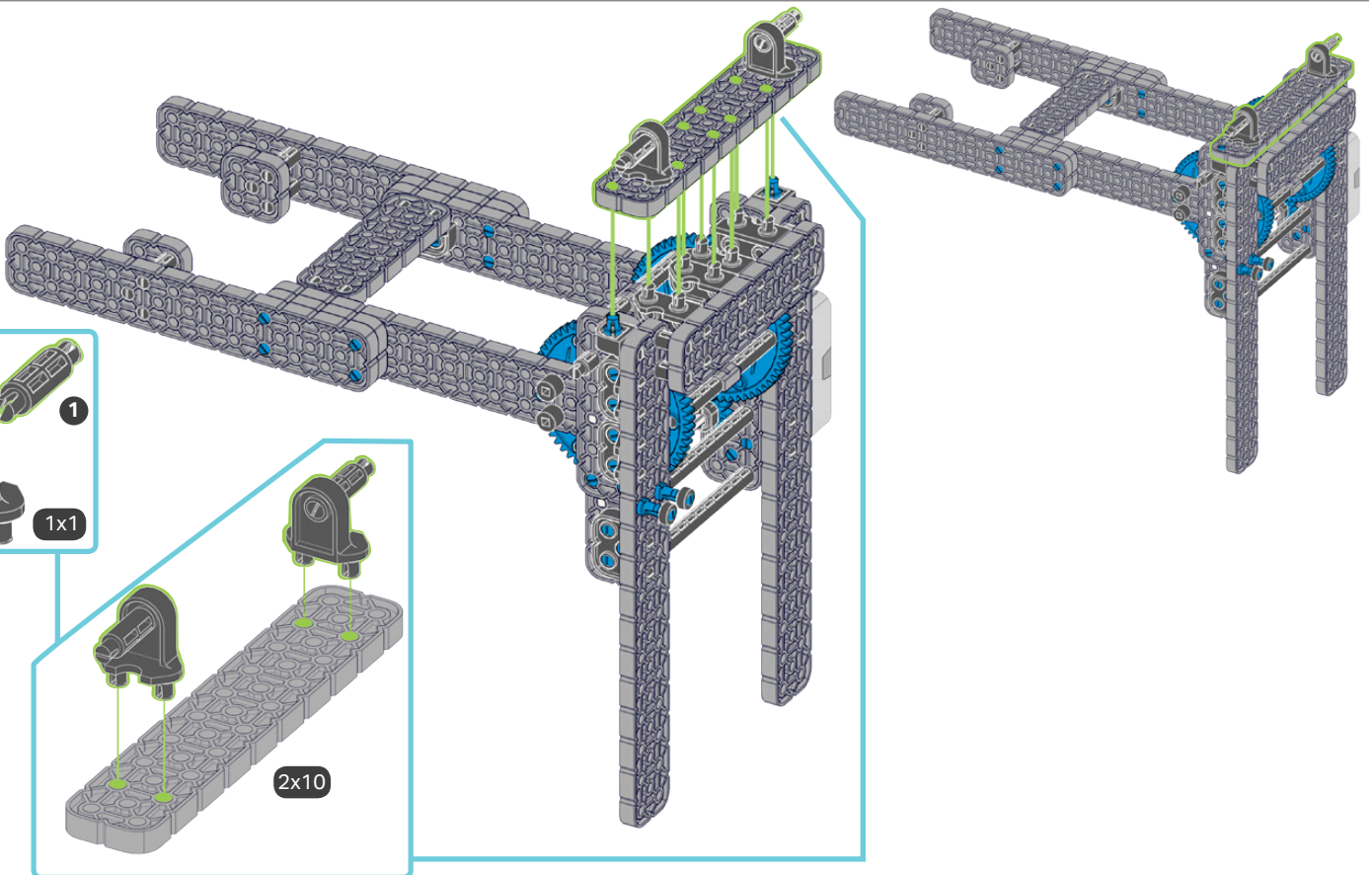
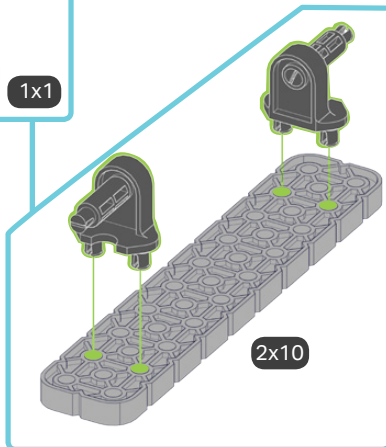
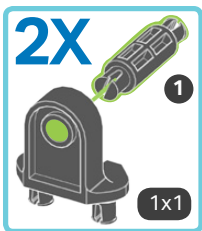


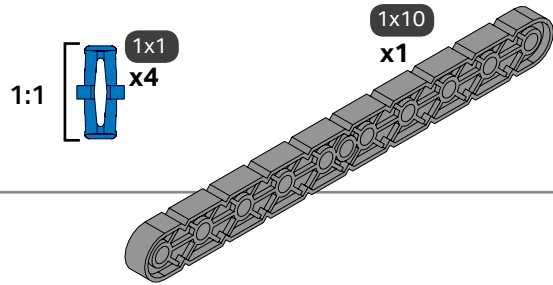


39

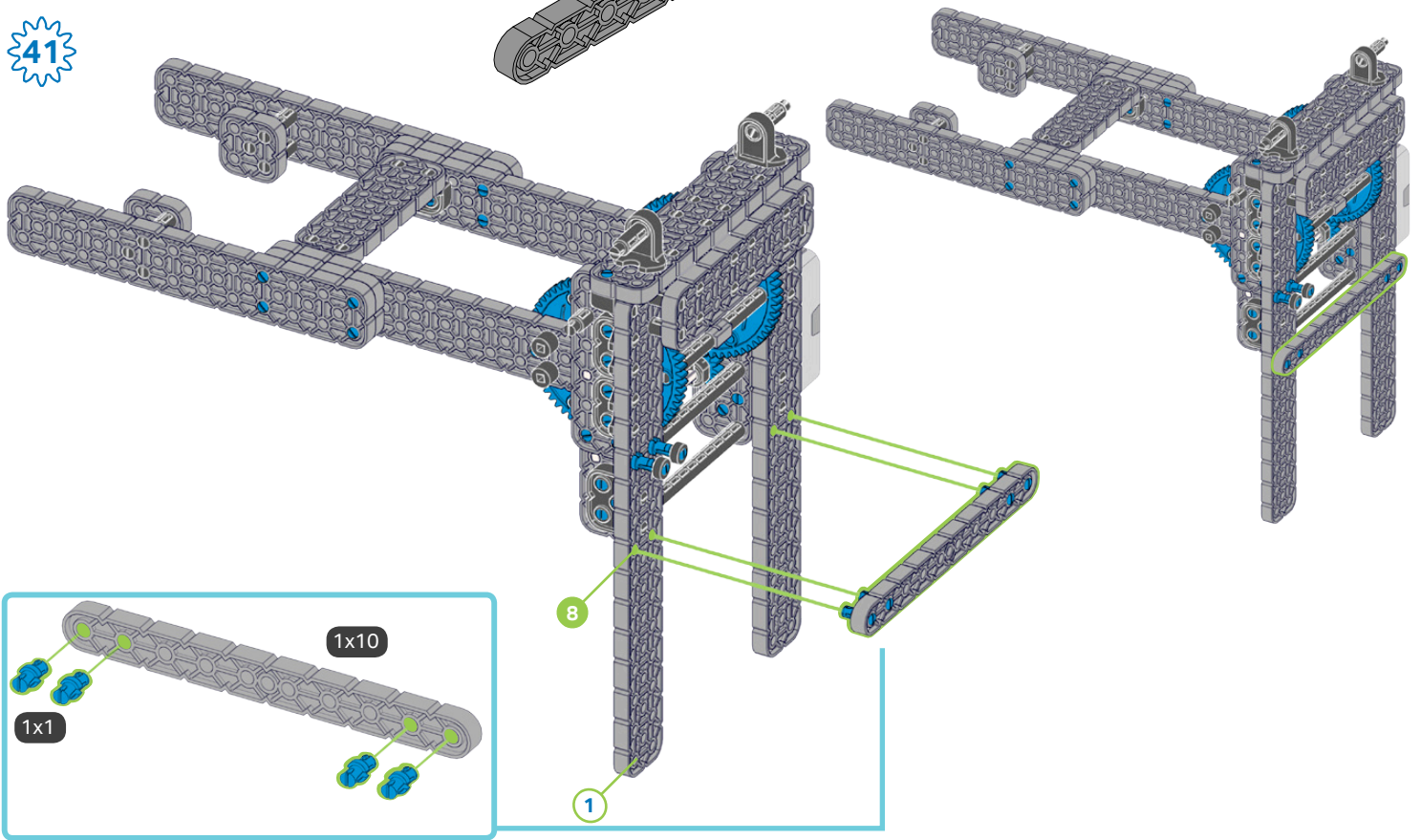


40

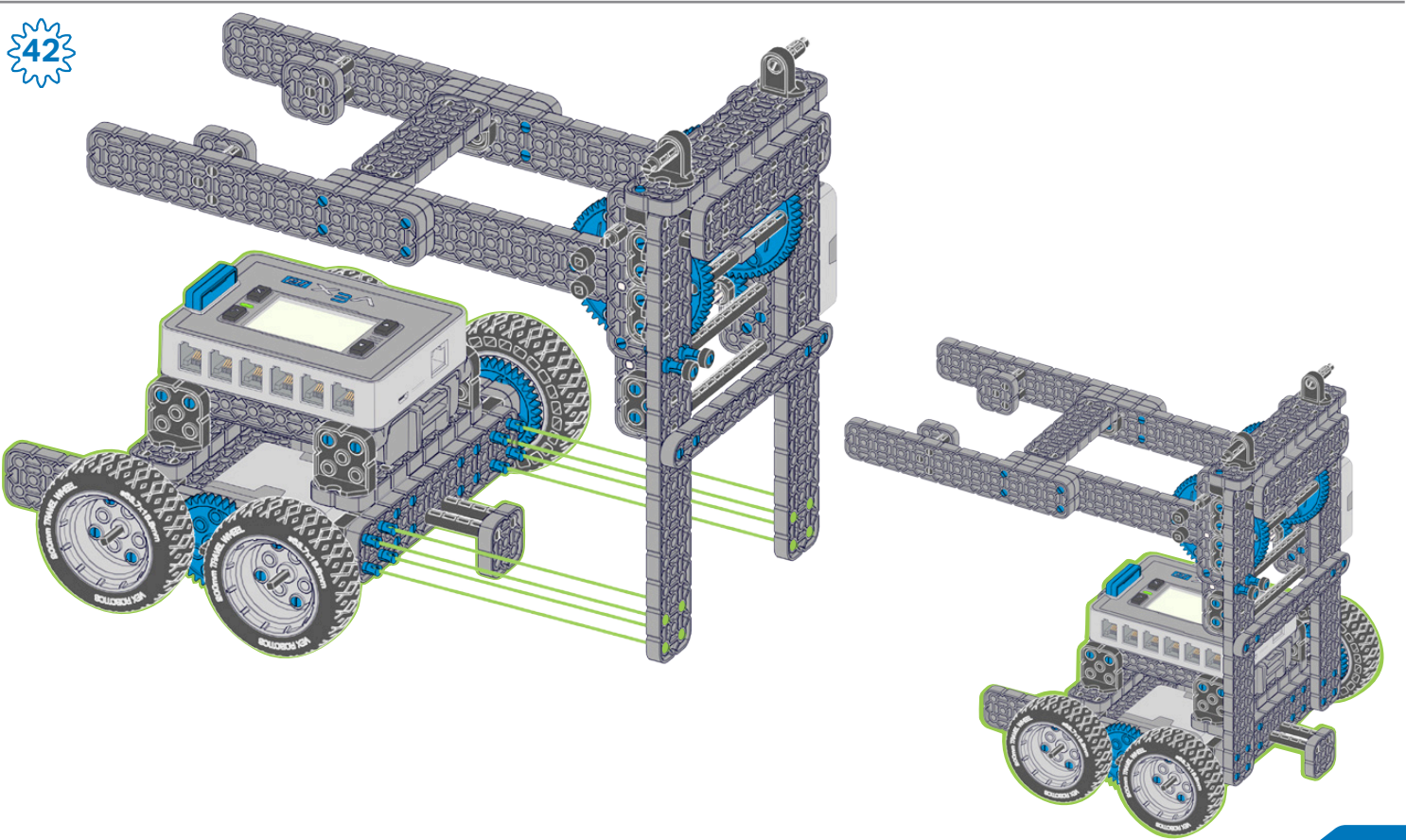




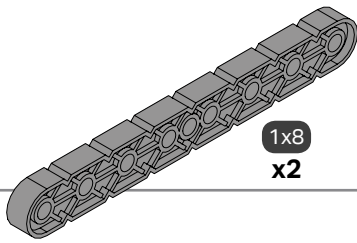
41



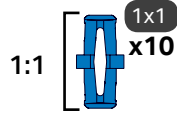
42



43

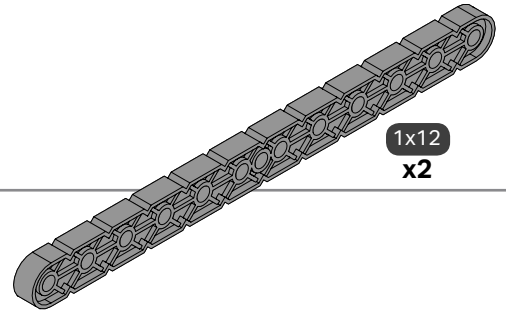


1x8  
x2

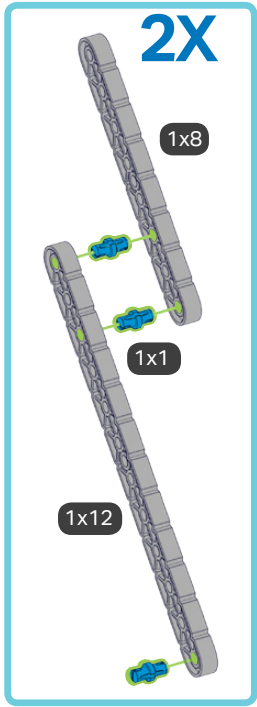
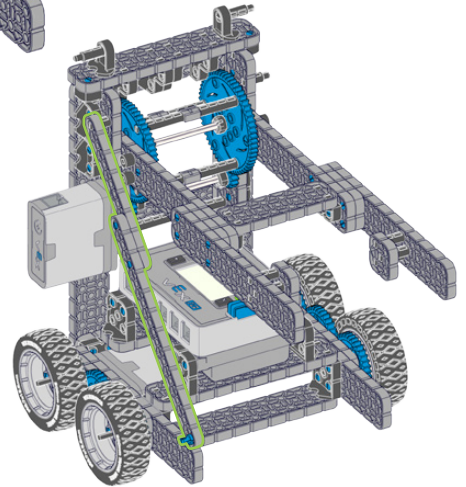
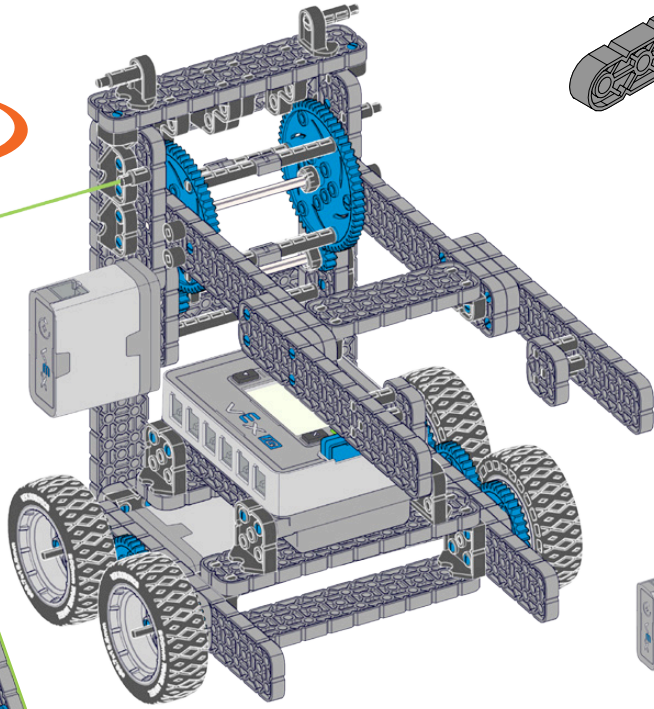
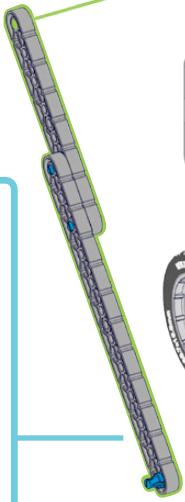


1:1

1x1  
x10



1x12  
x2



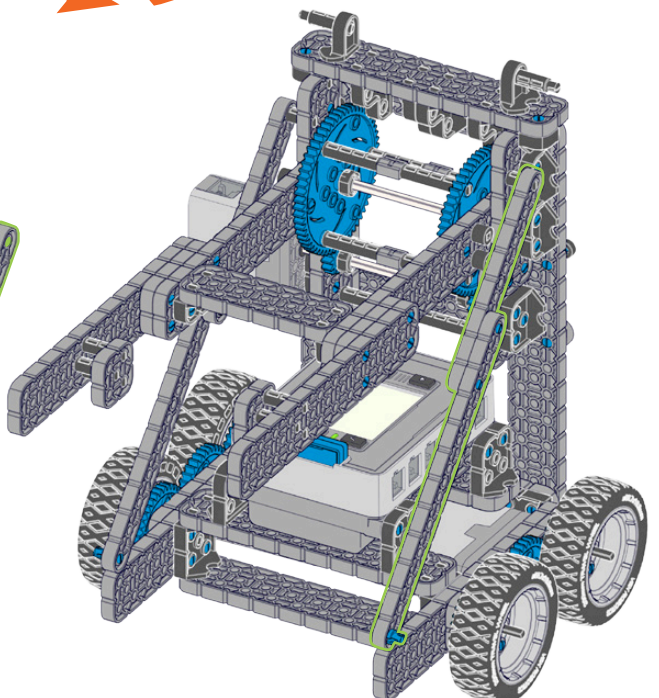
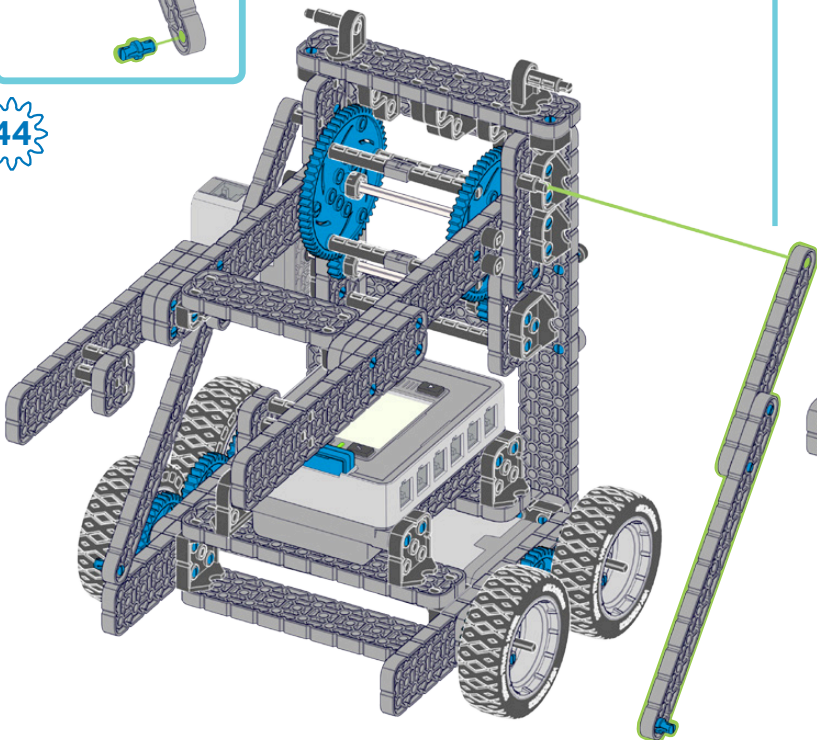
2X

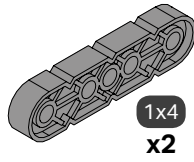
1x8

1x1

1x12

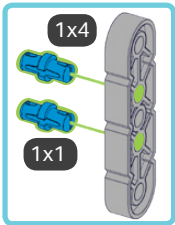
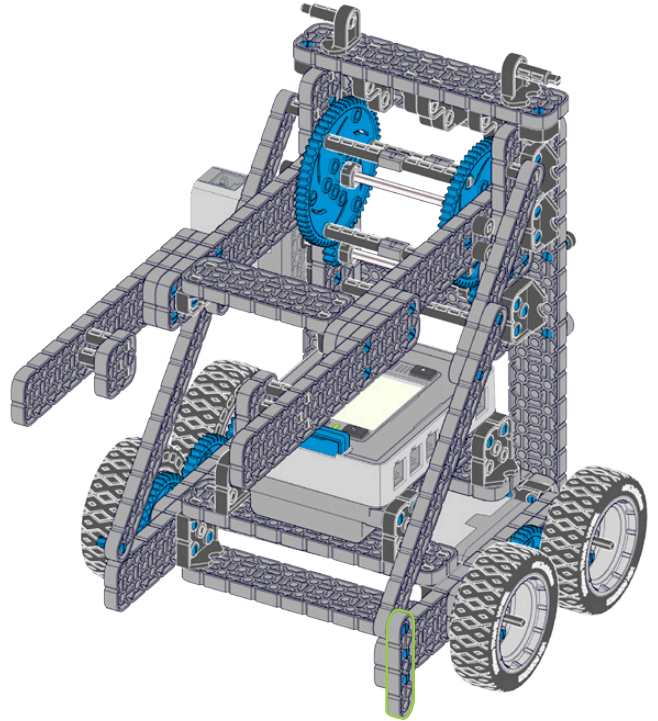
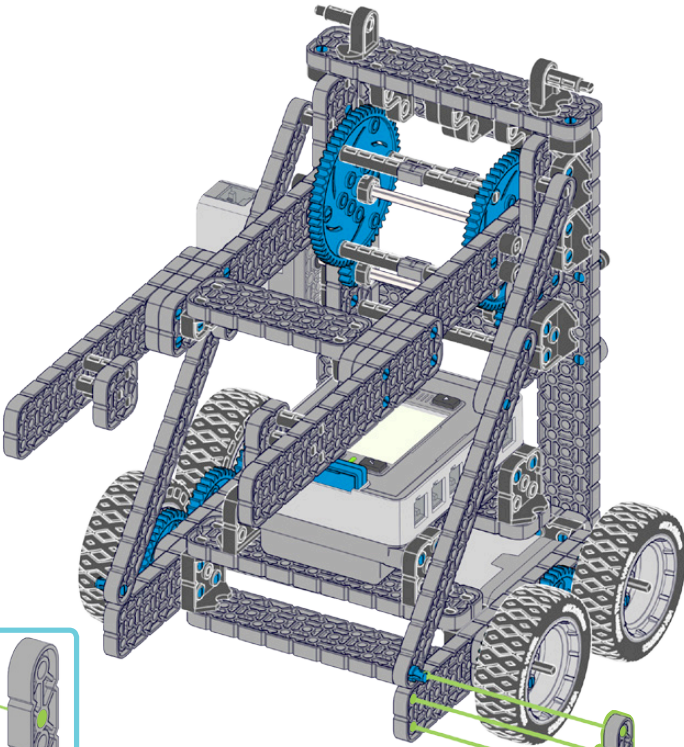
44



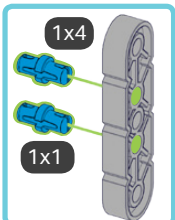
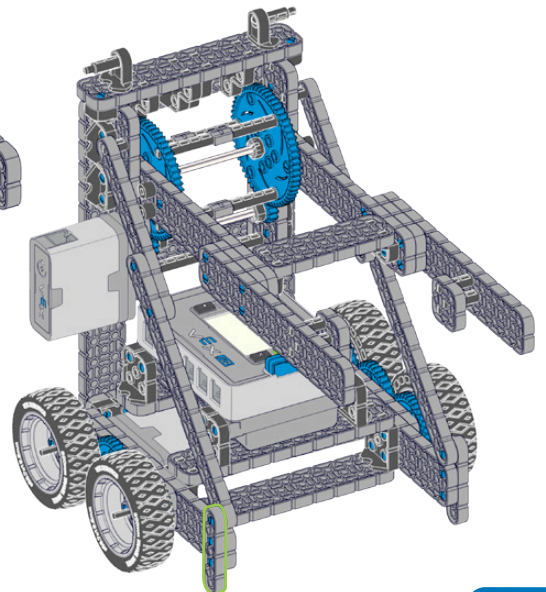
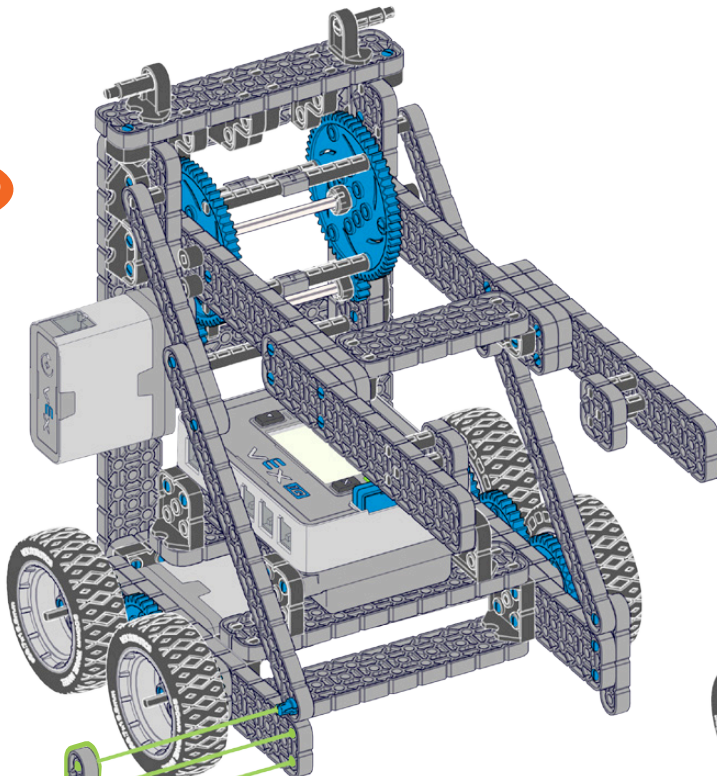


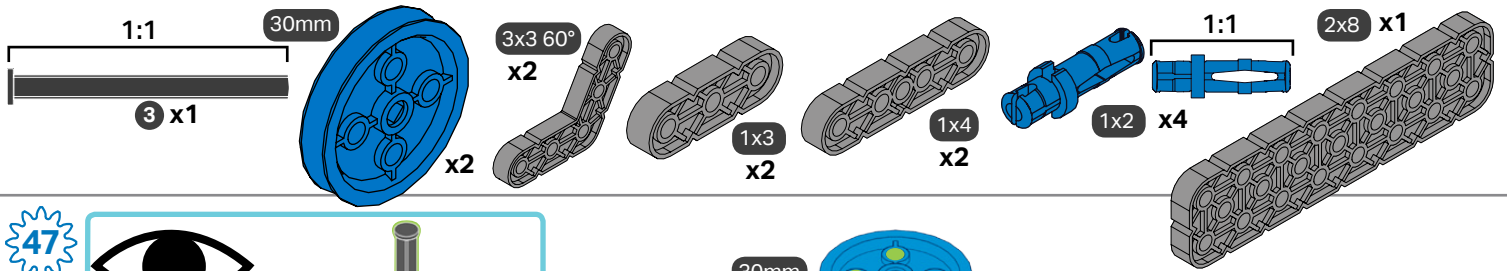
1x4  
x2

45

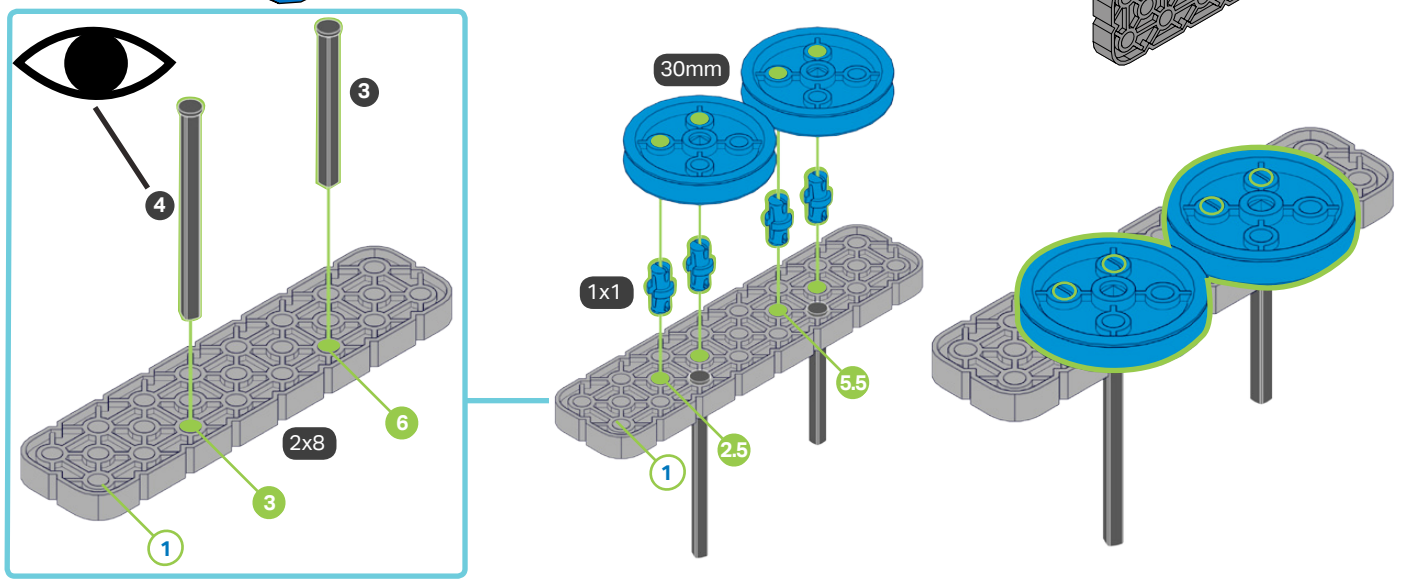


46

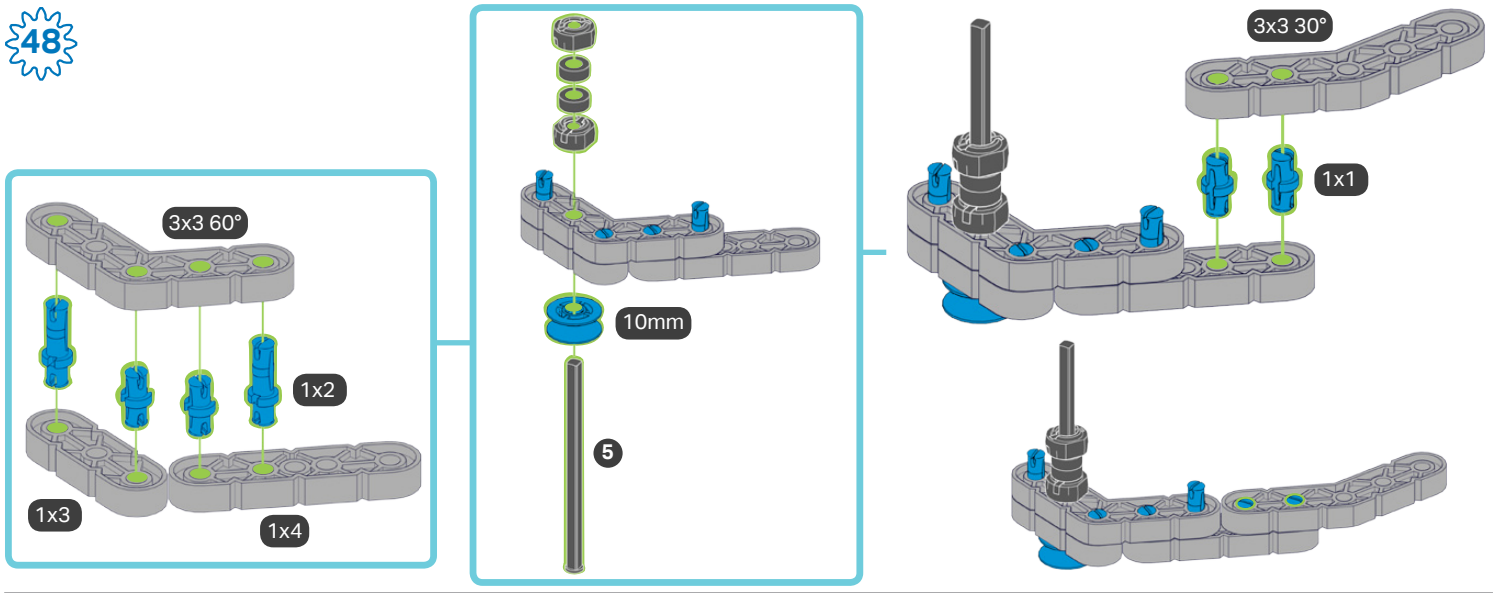




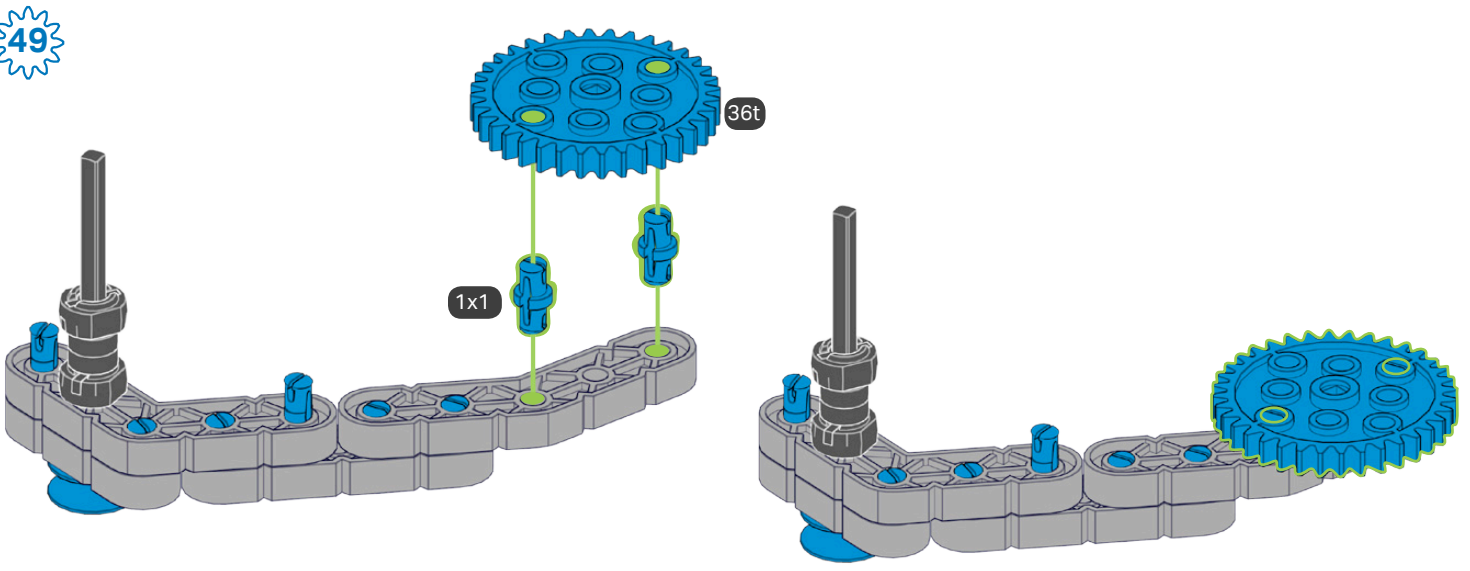
47

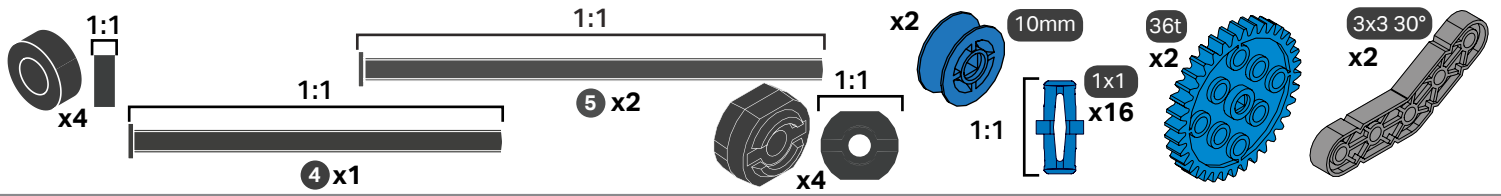


48

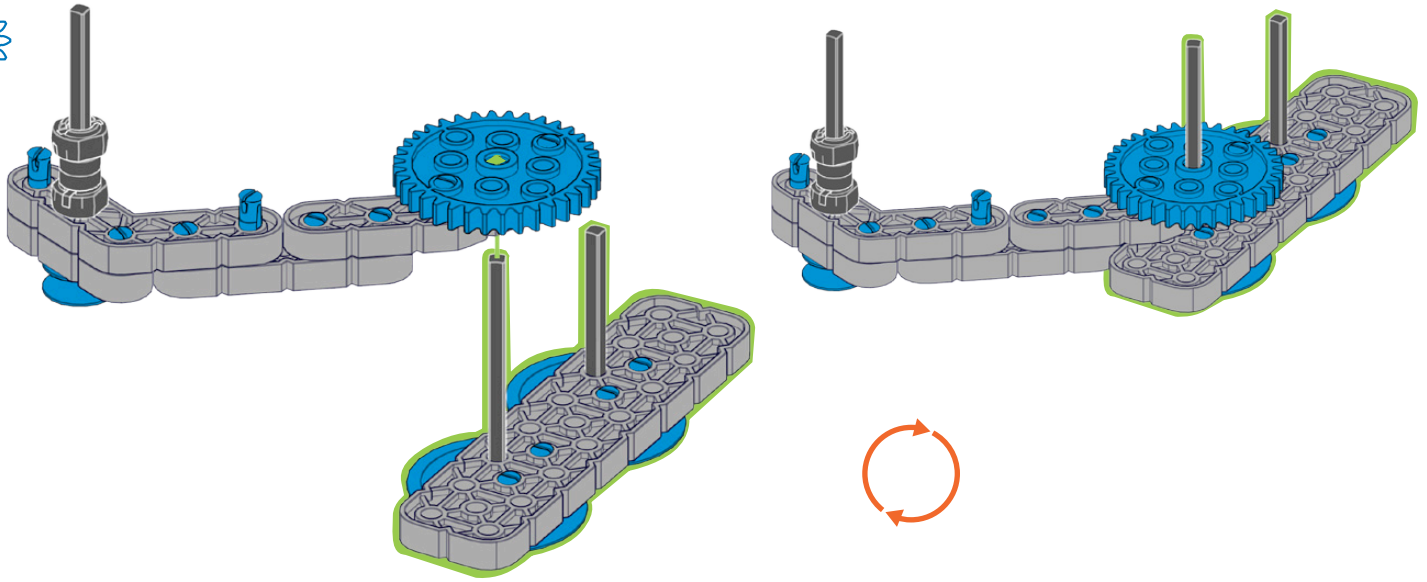


49

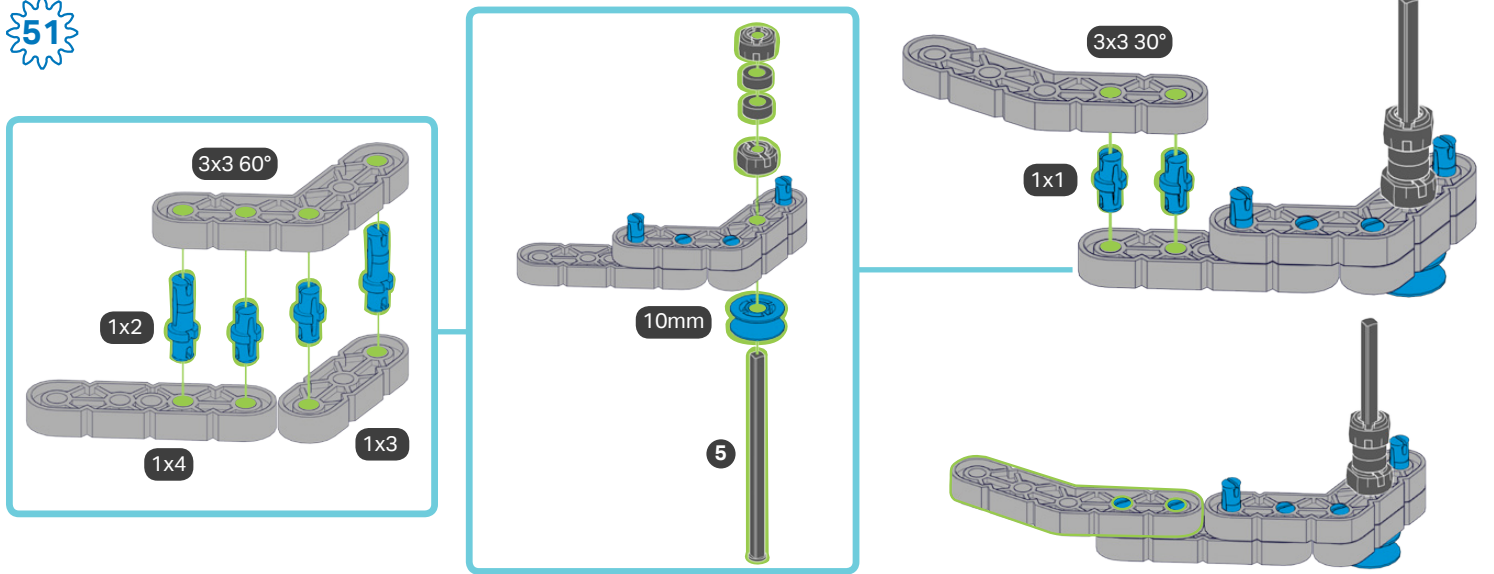




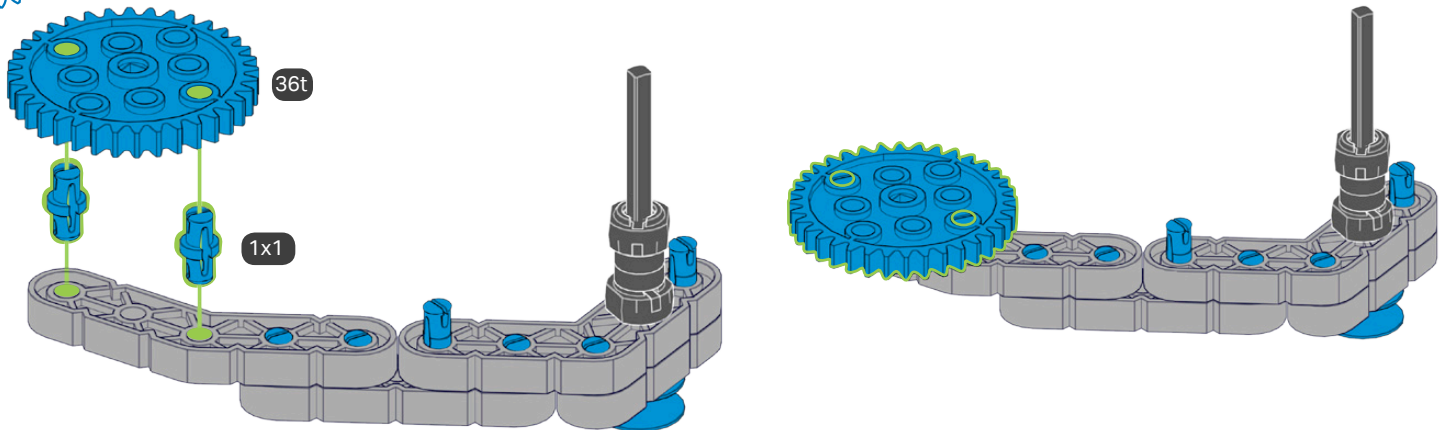
50



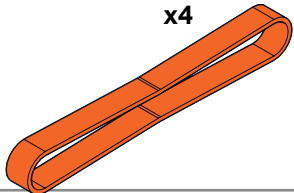
51



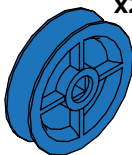
52



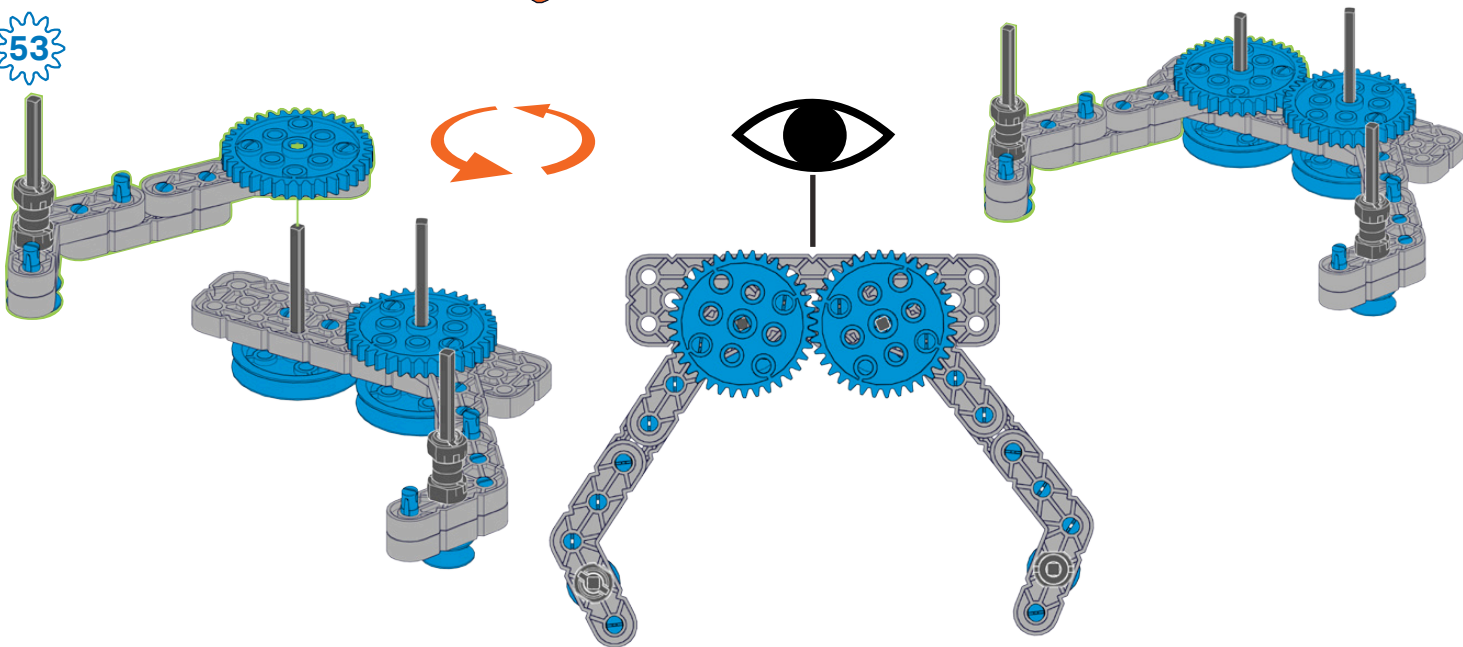
x4



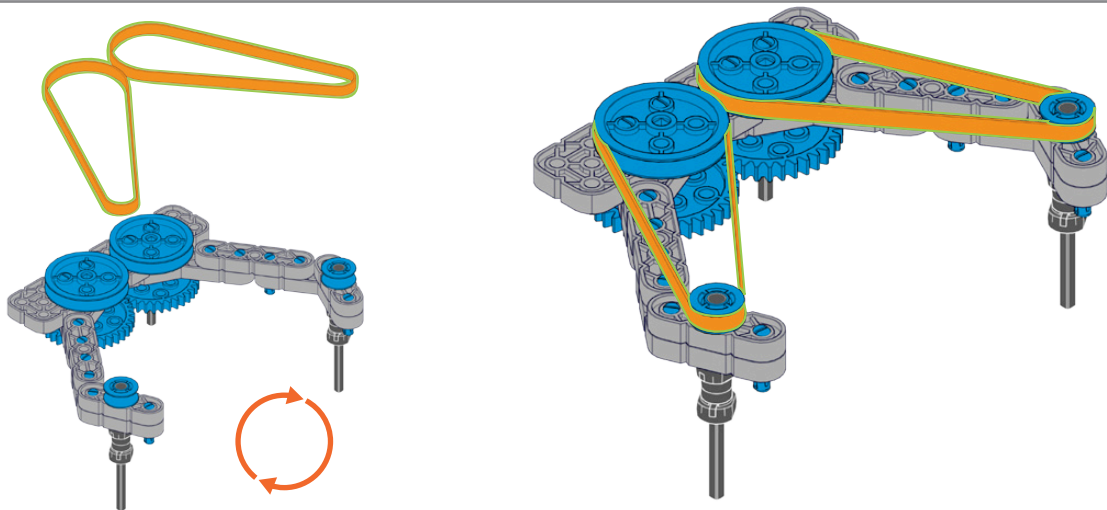
x2 20mm



53

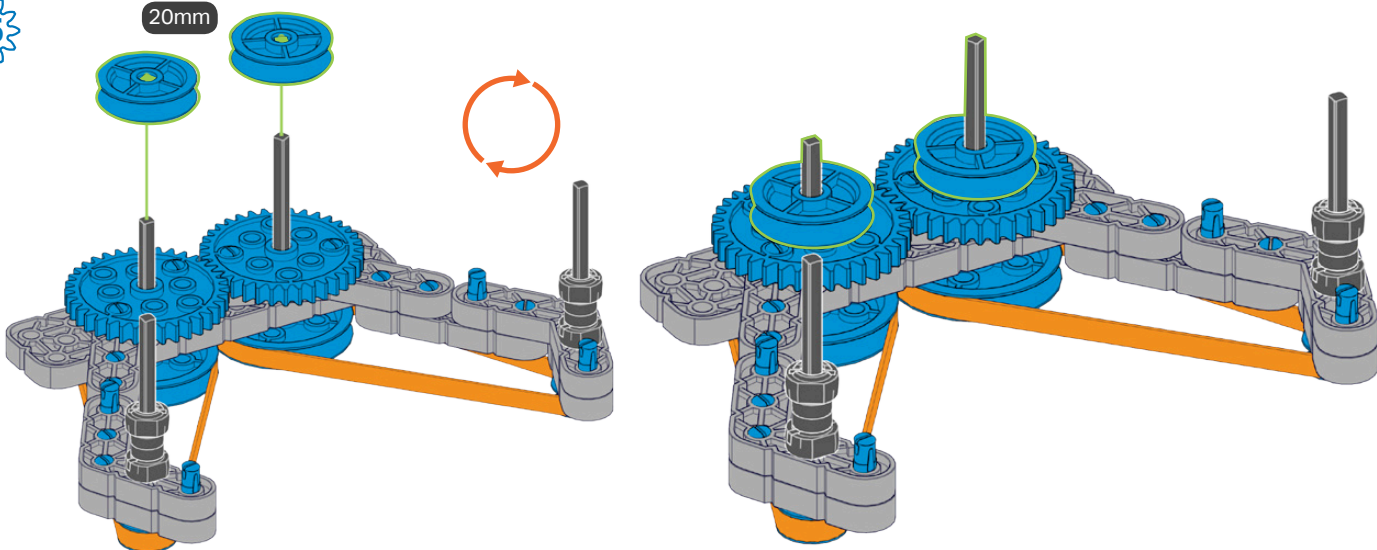


54

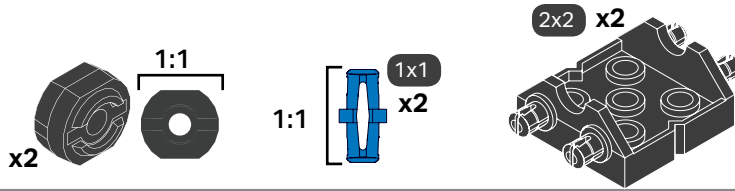


55

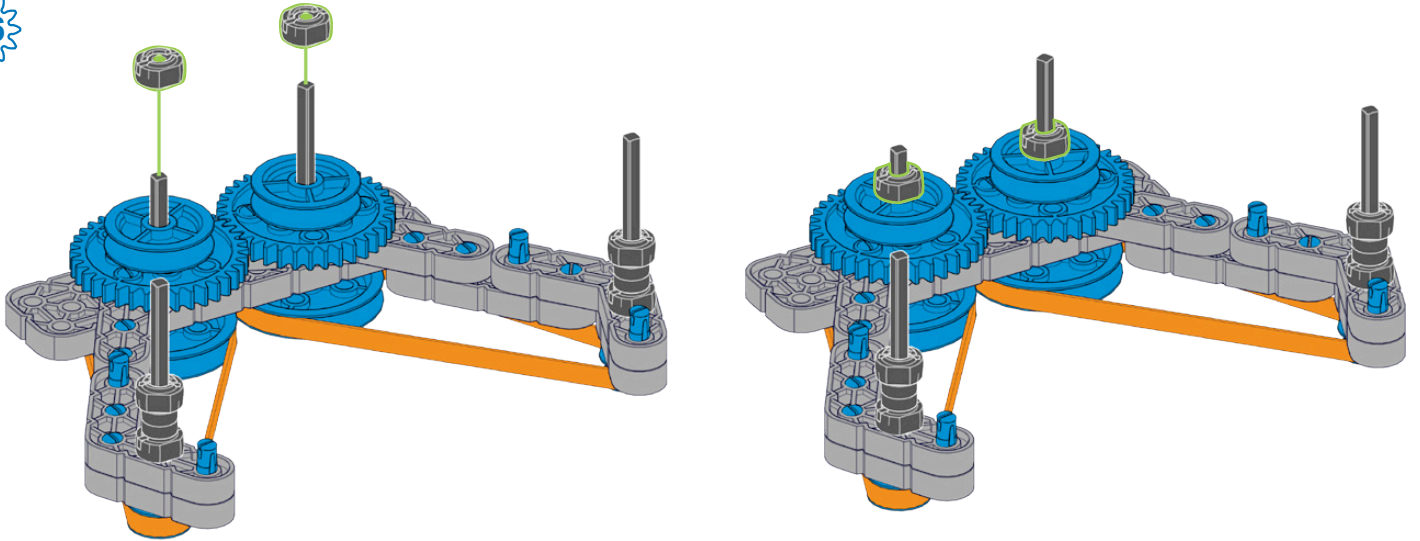
20mm



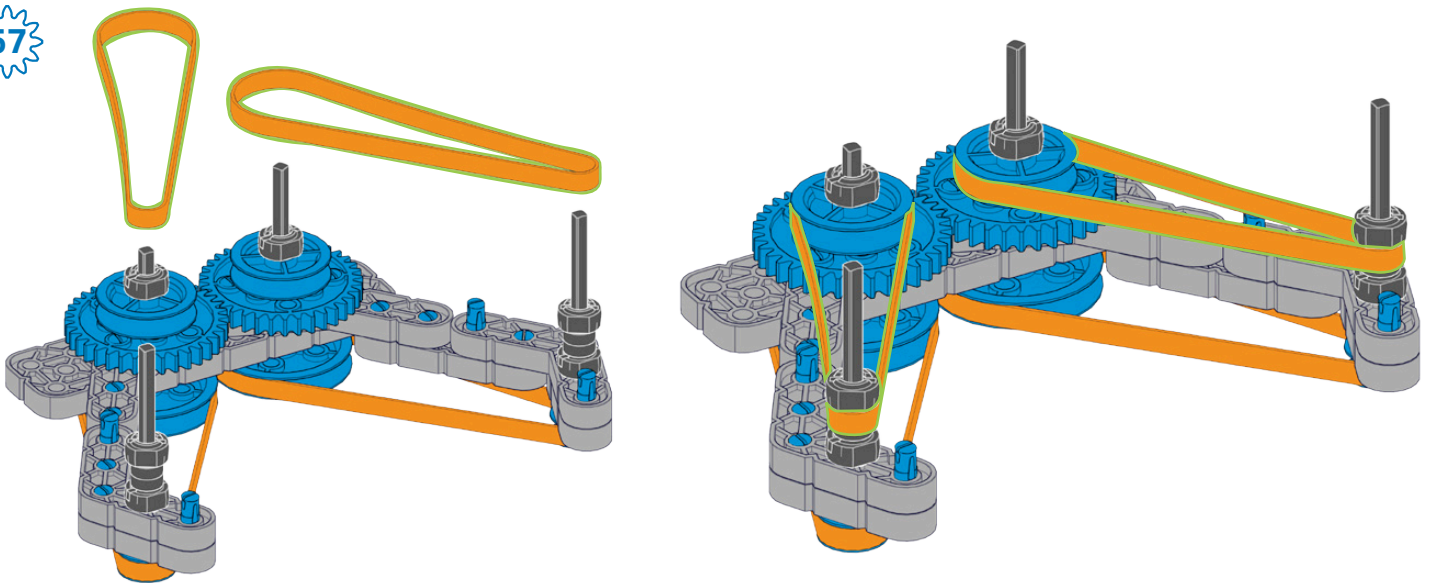




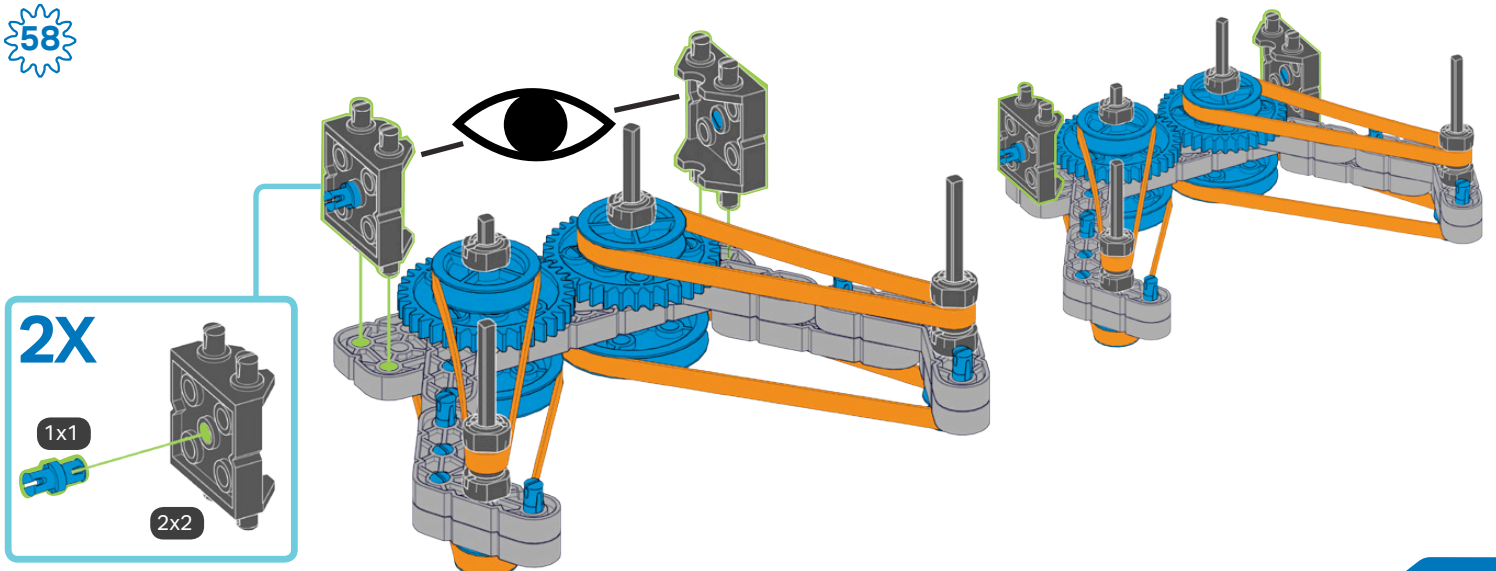
56

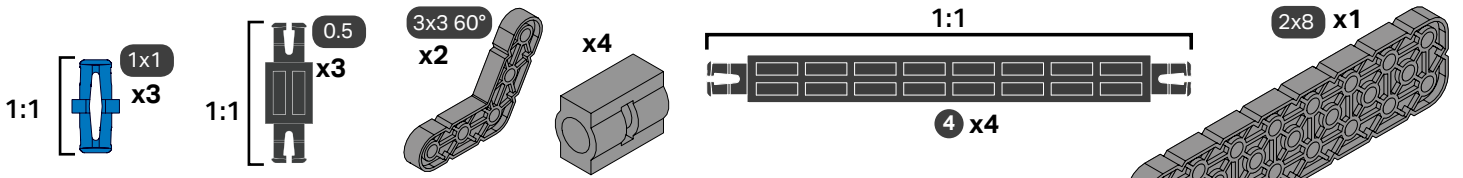


57

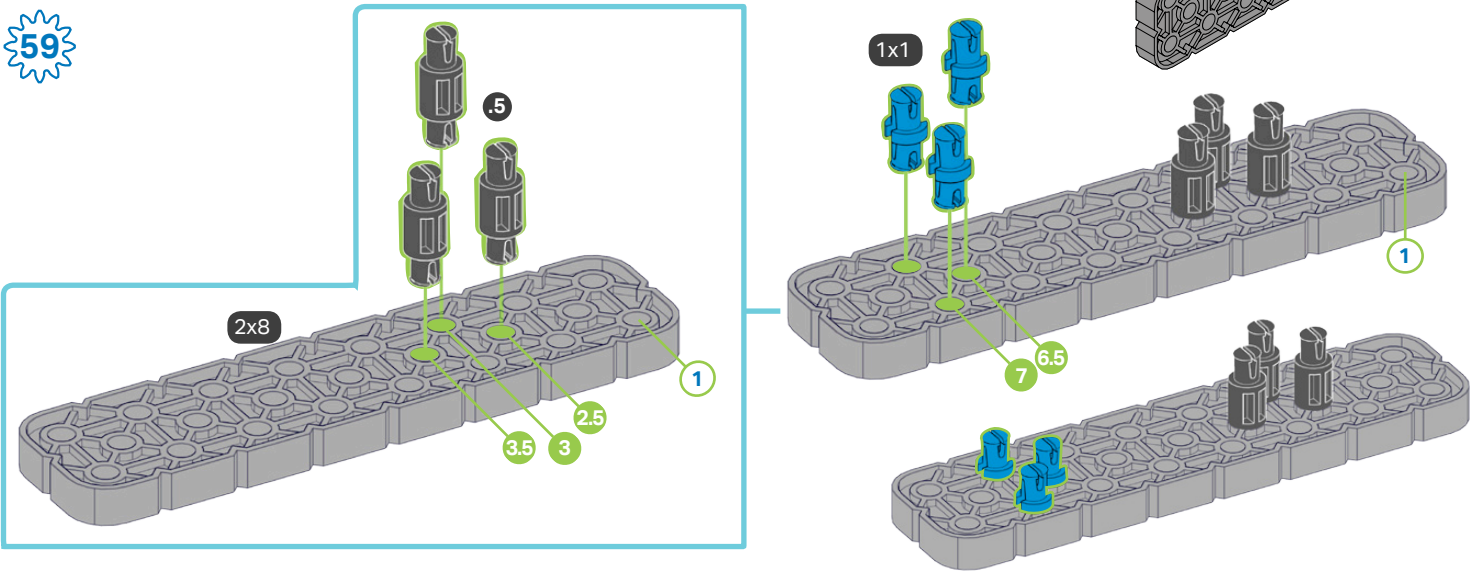


58

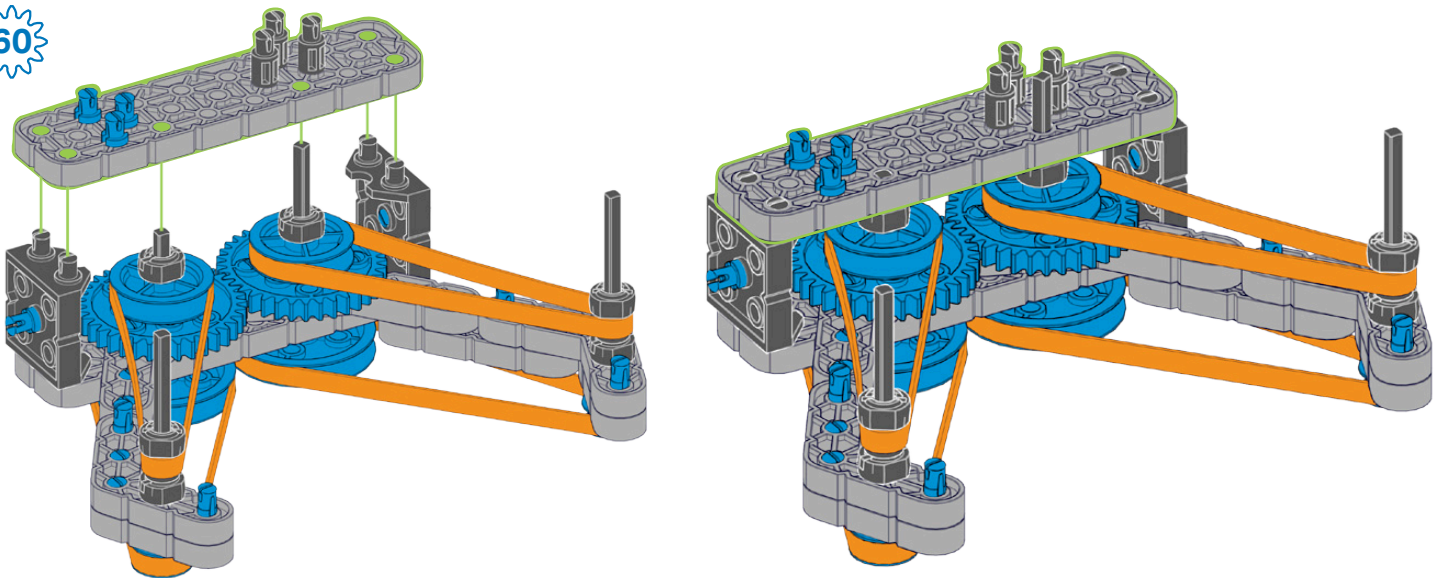




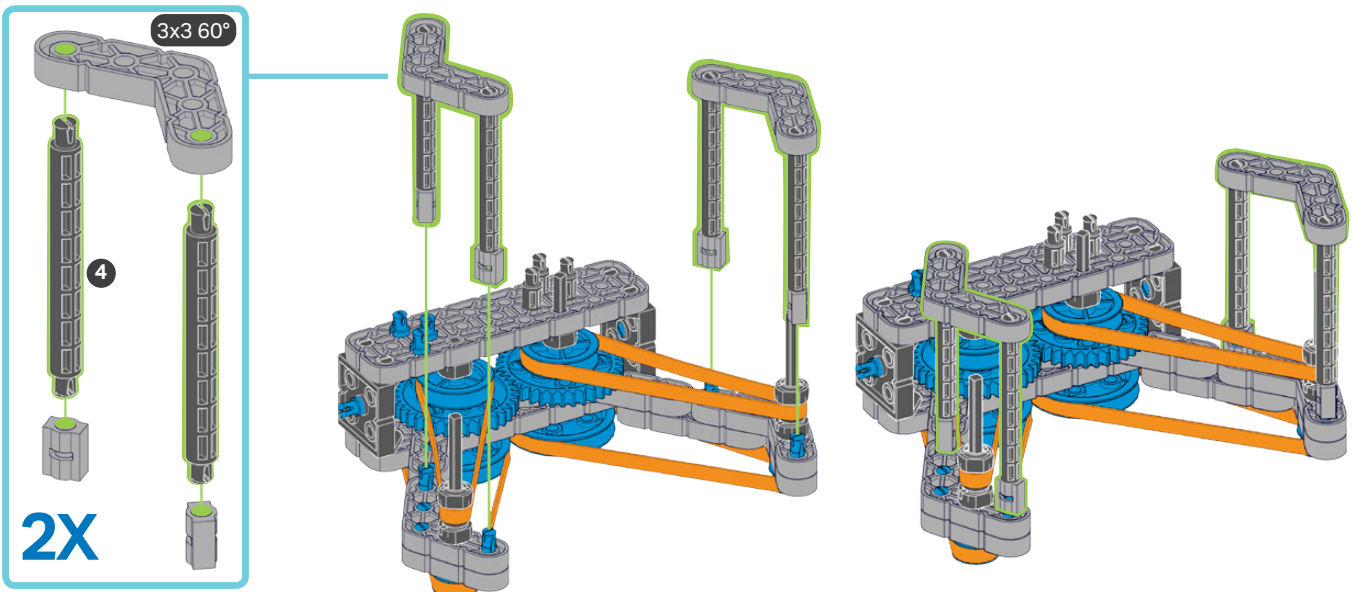
59

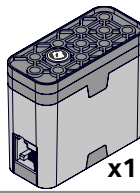


60



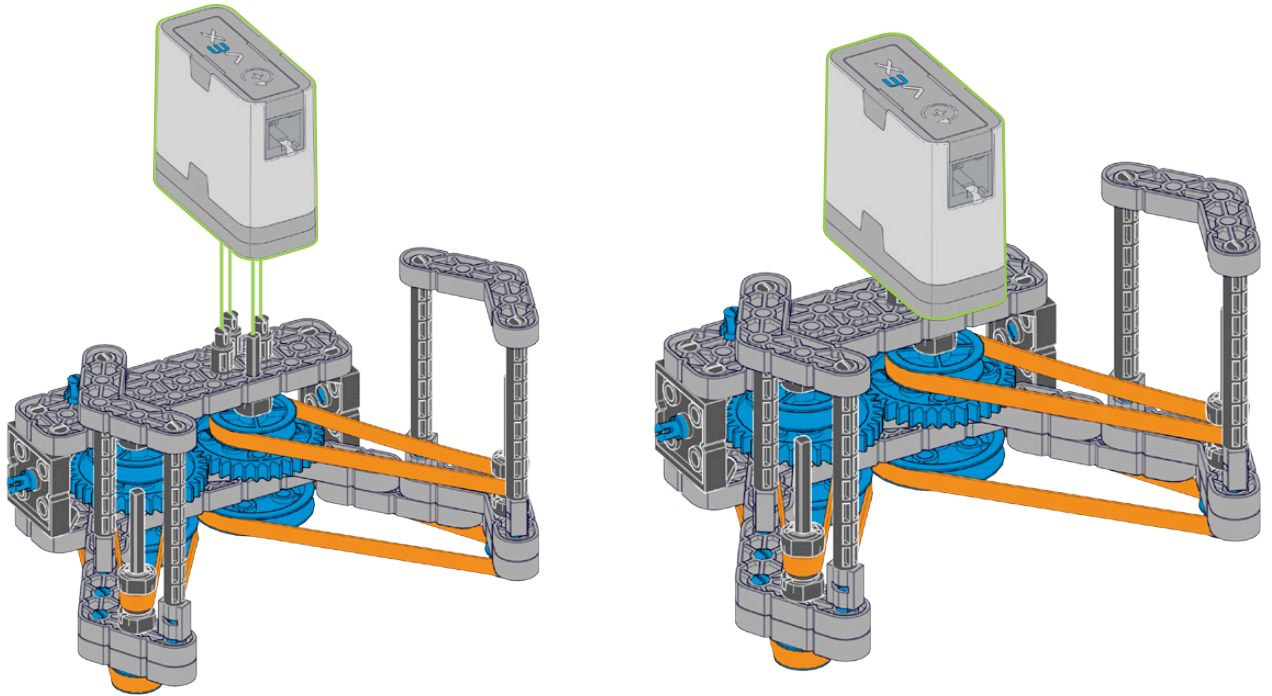
61



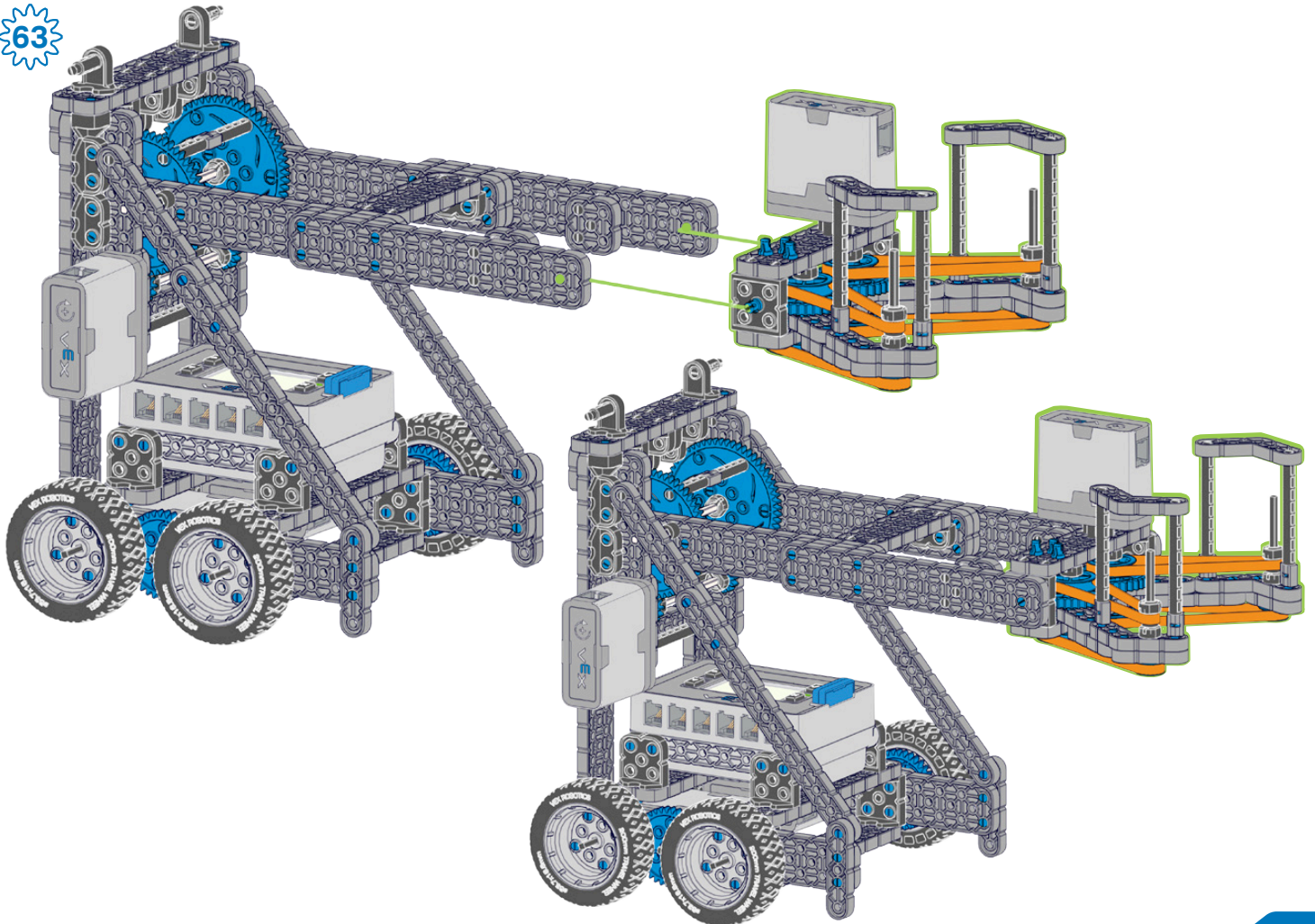


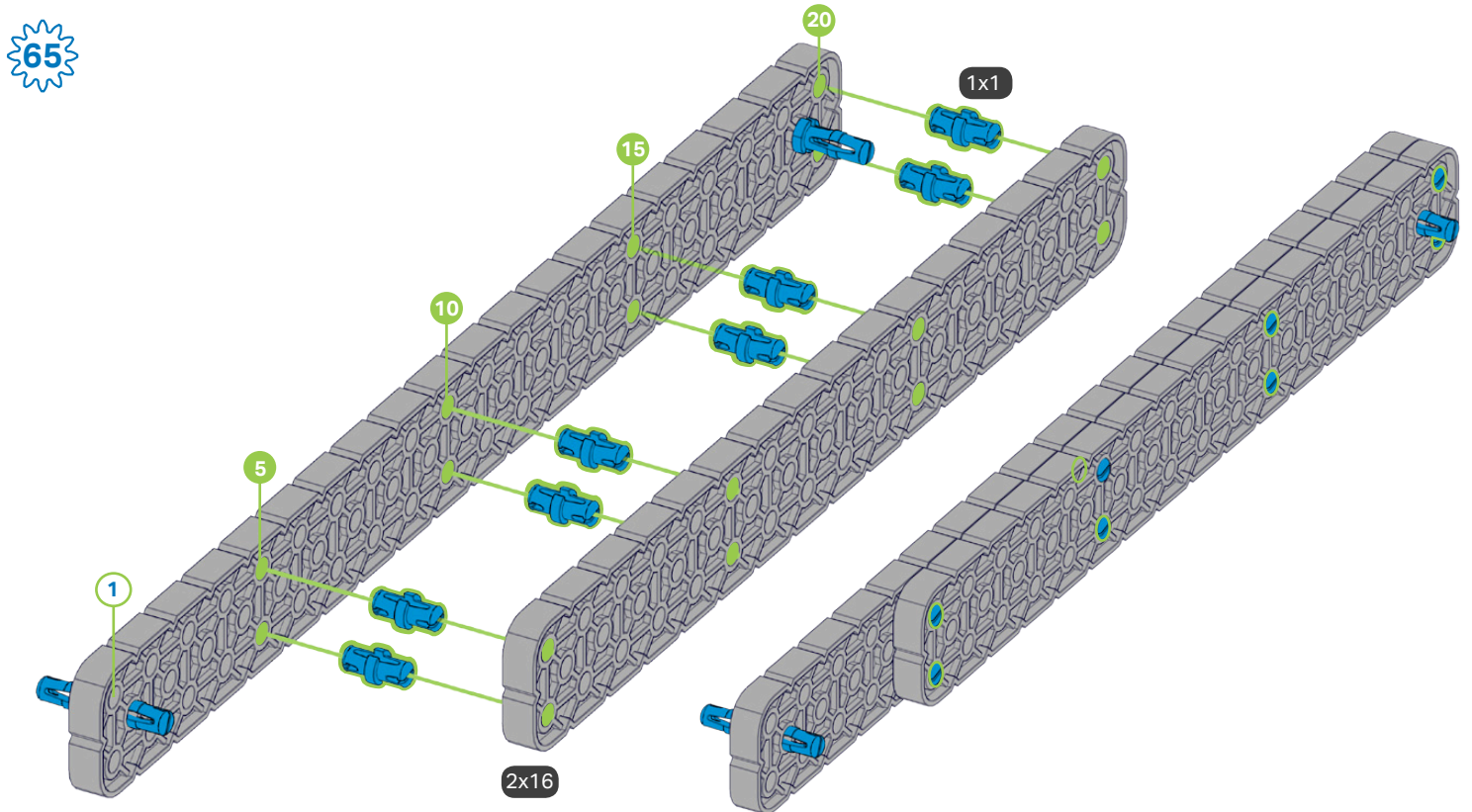
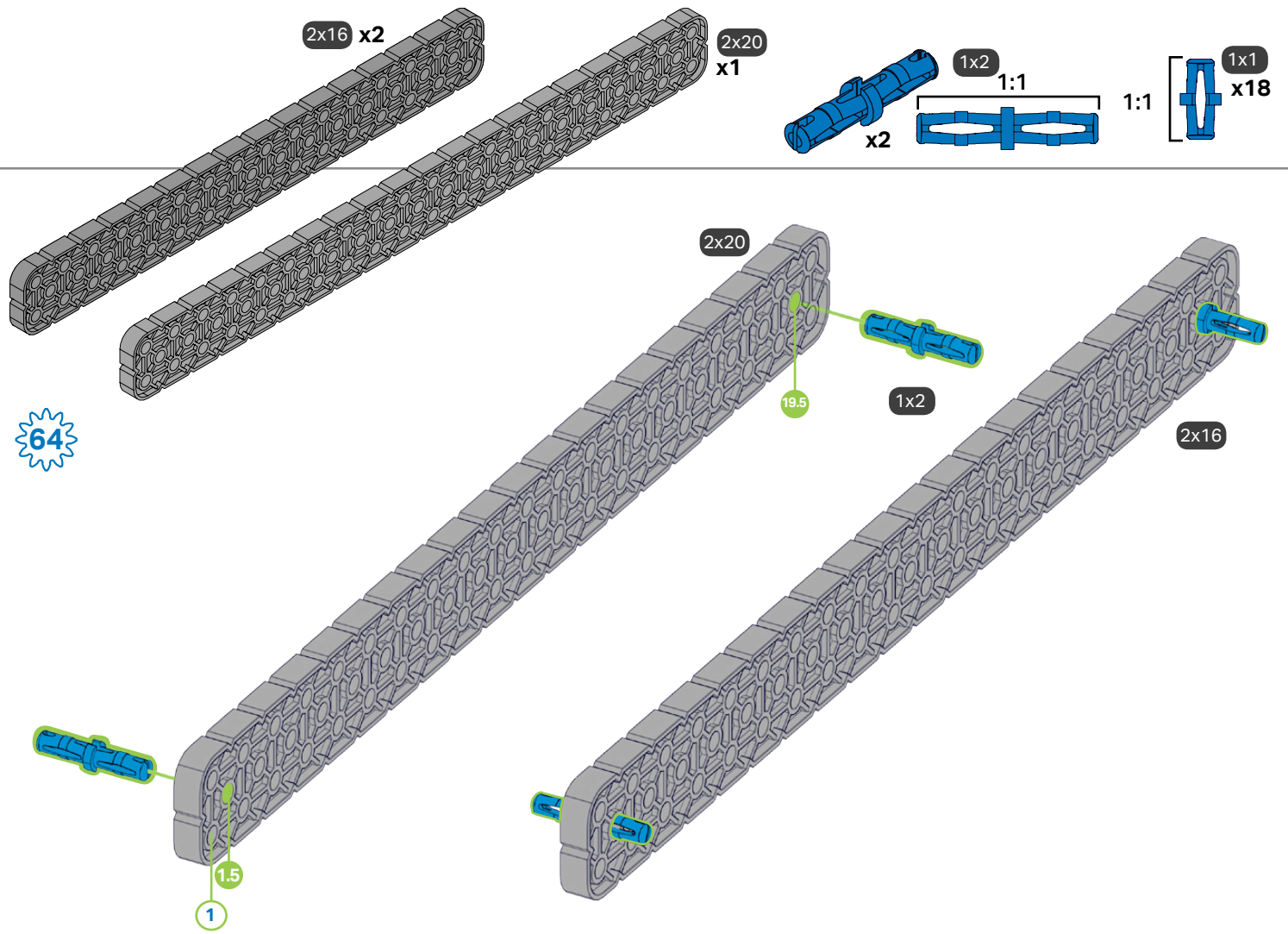
x1

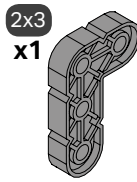
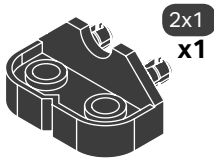
62



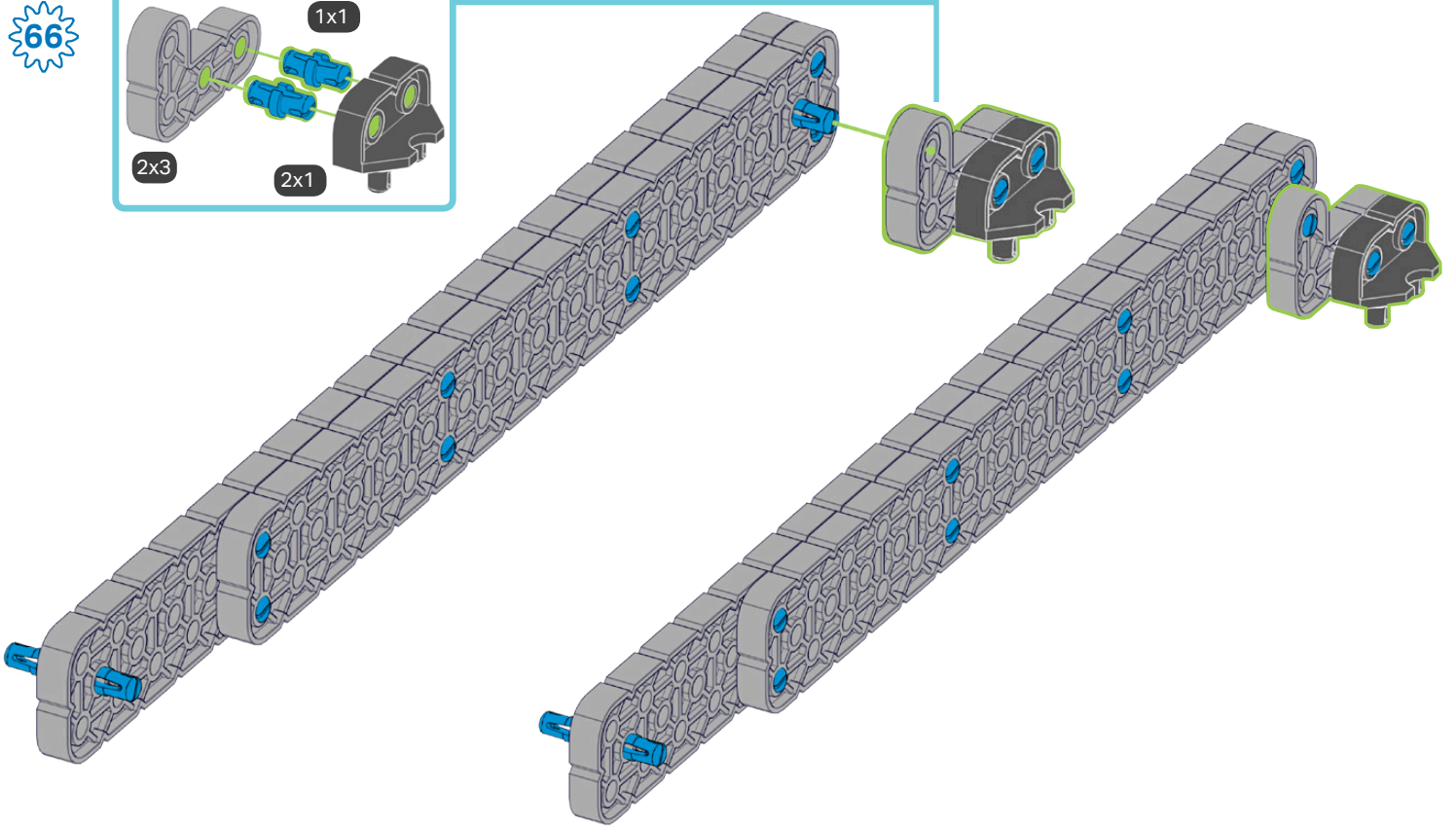
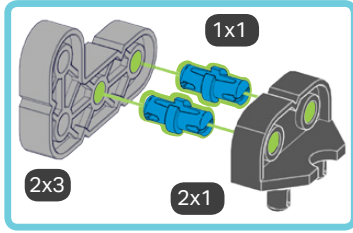
63



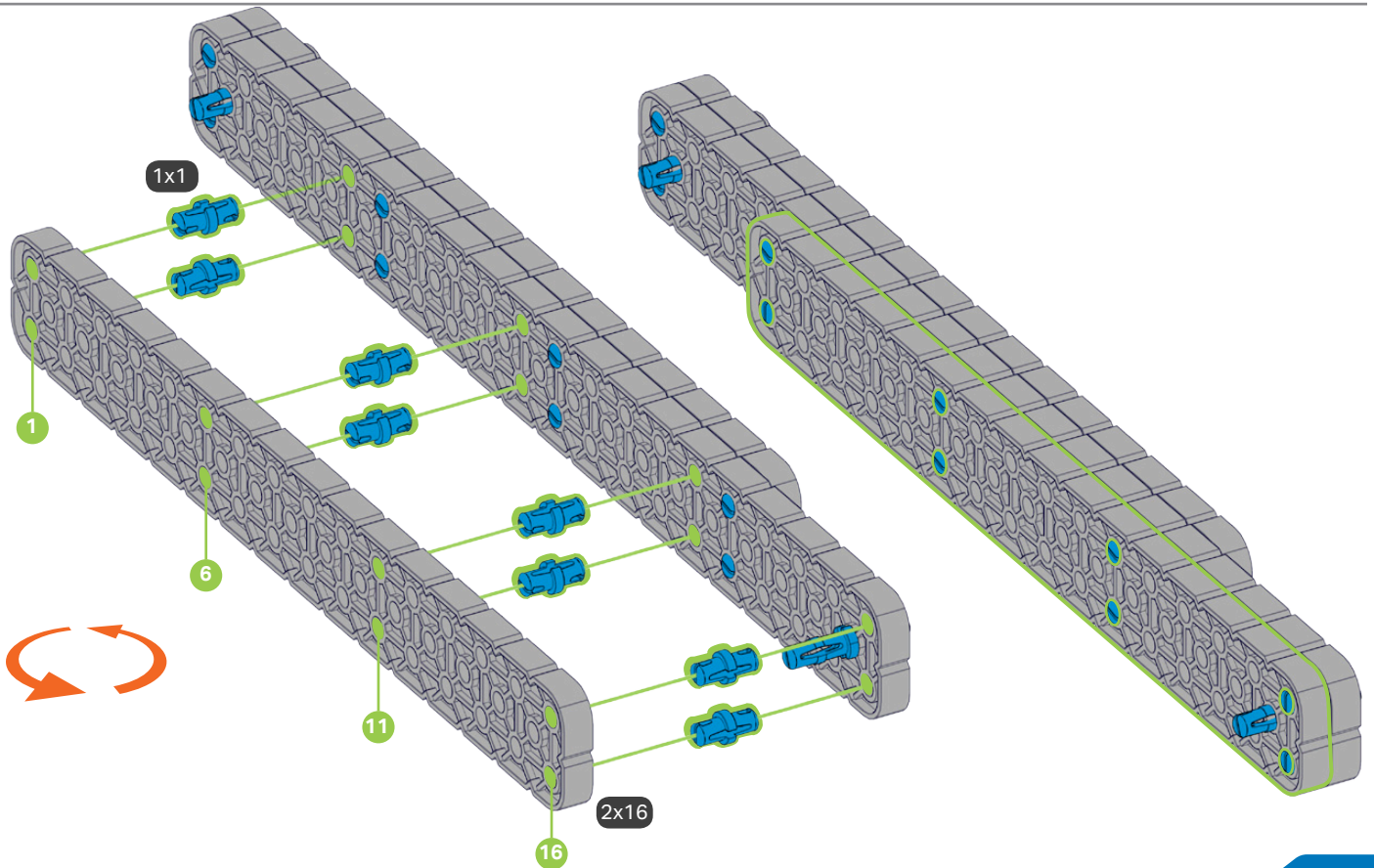


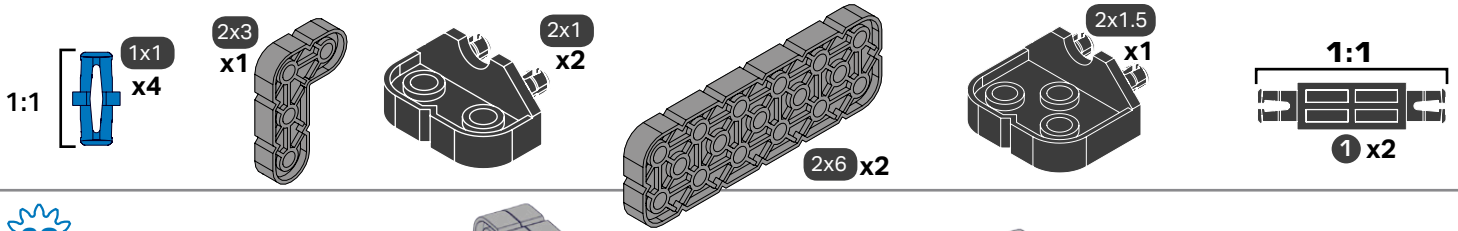


66

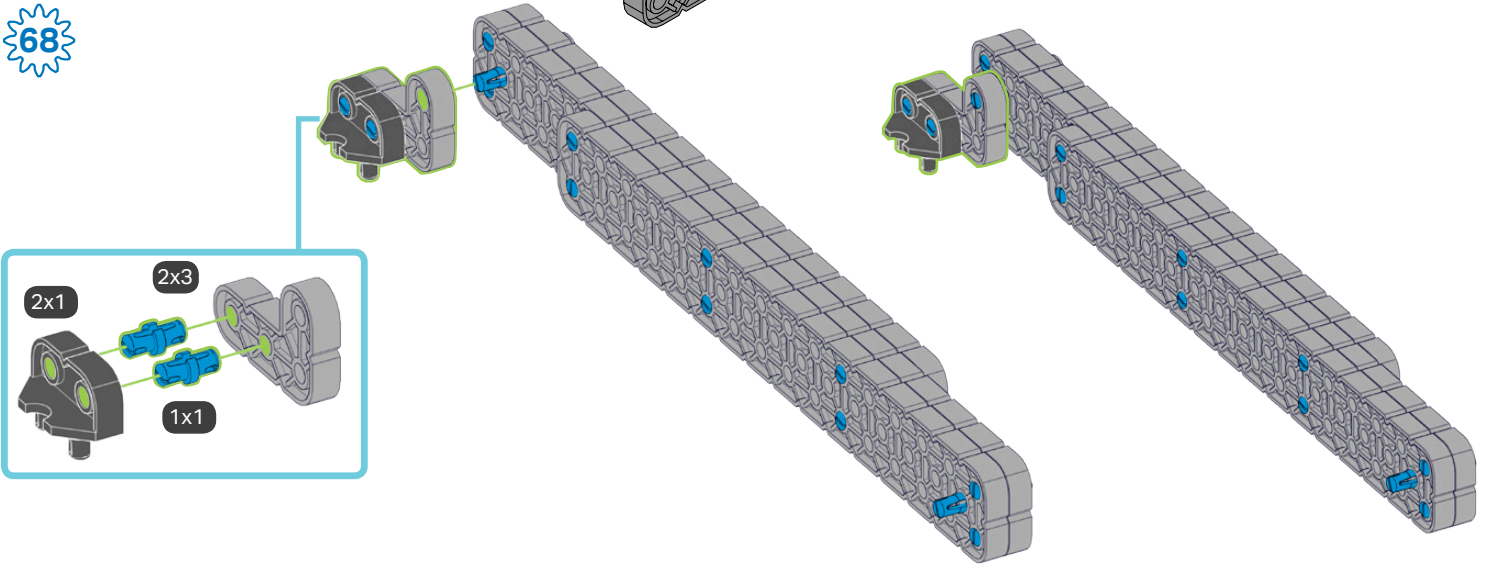


67

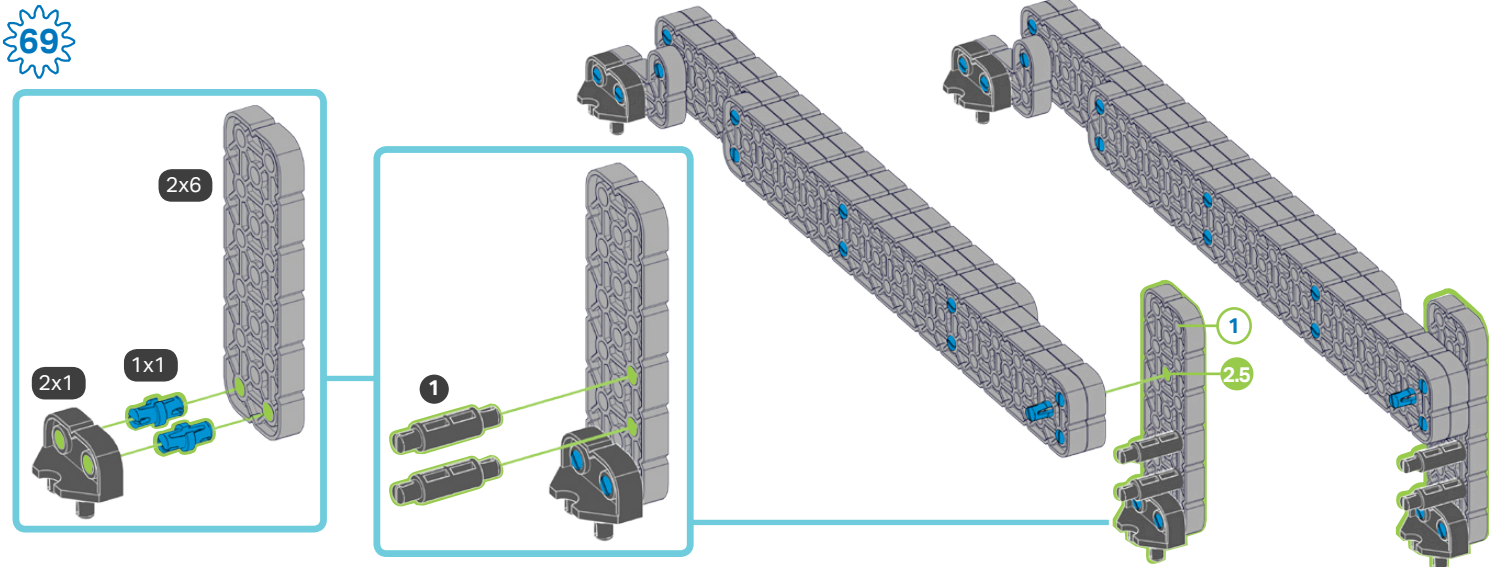




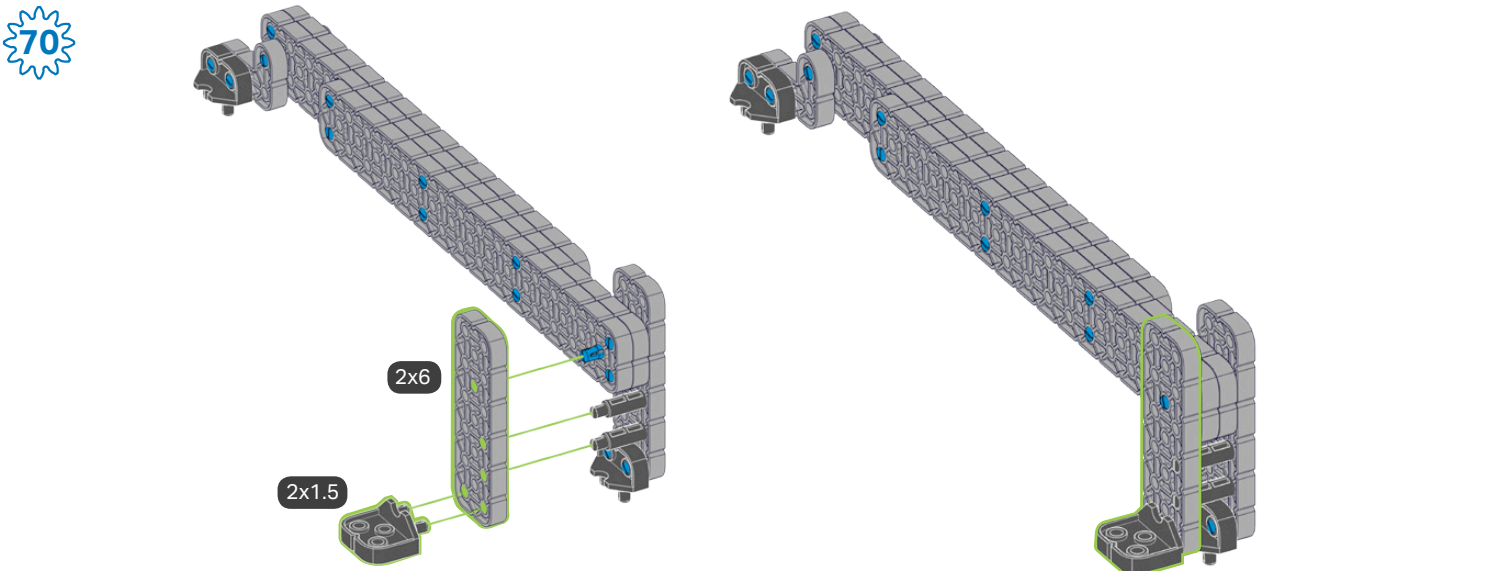
68

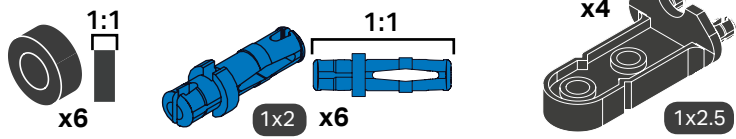


69

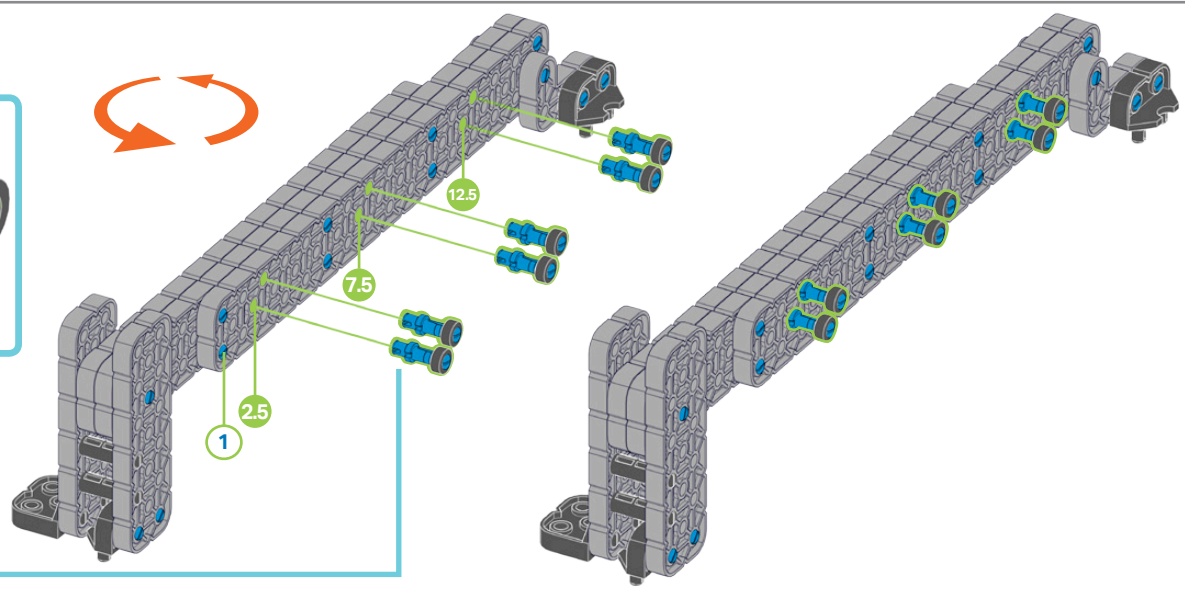
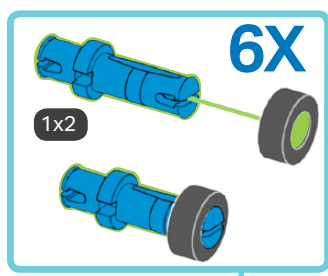


70

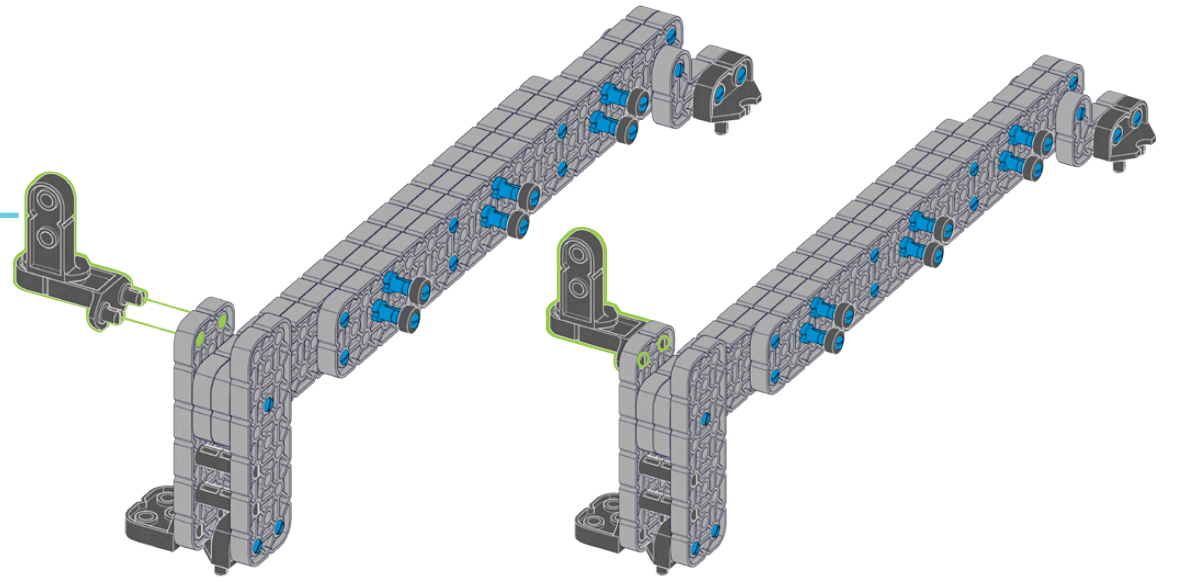
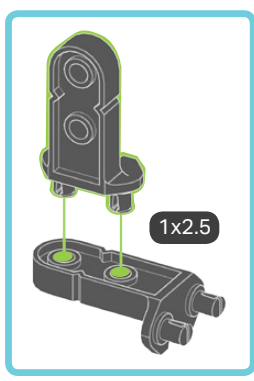




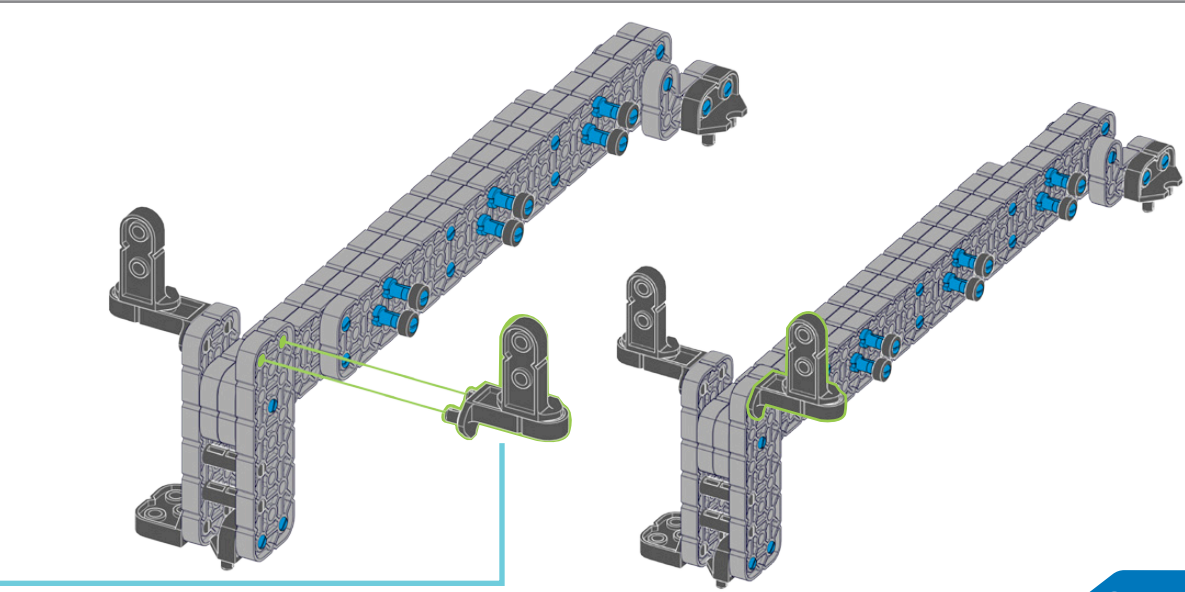
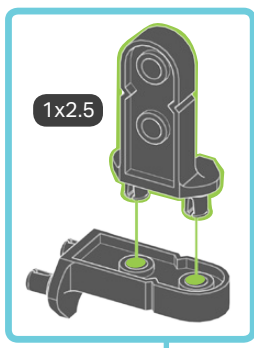
71

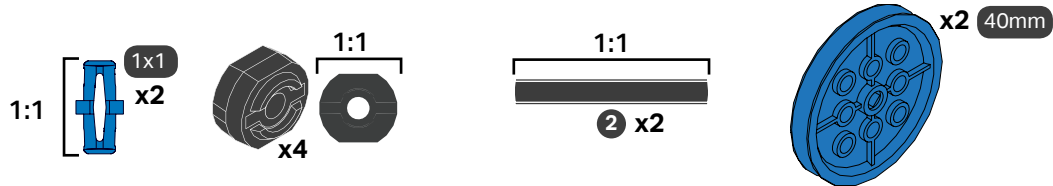


72

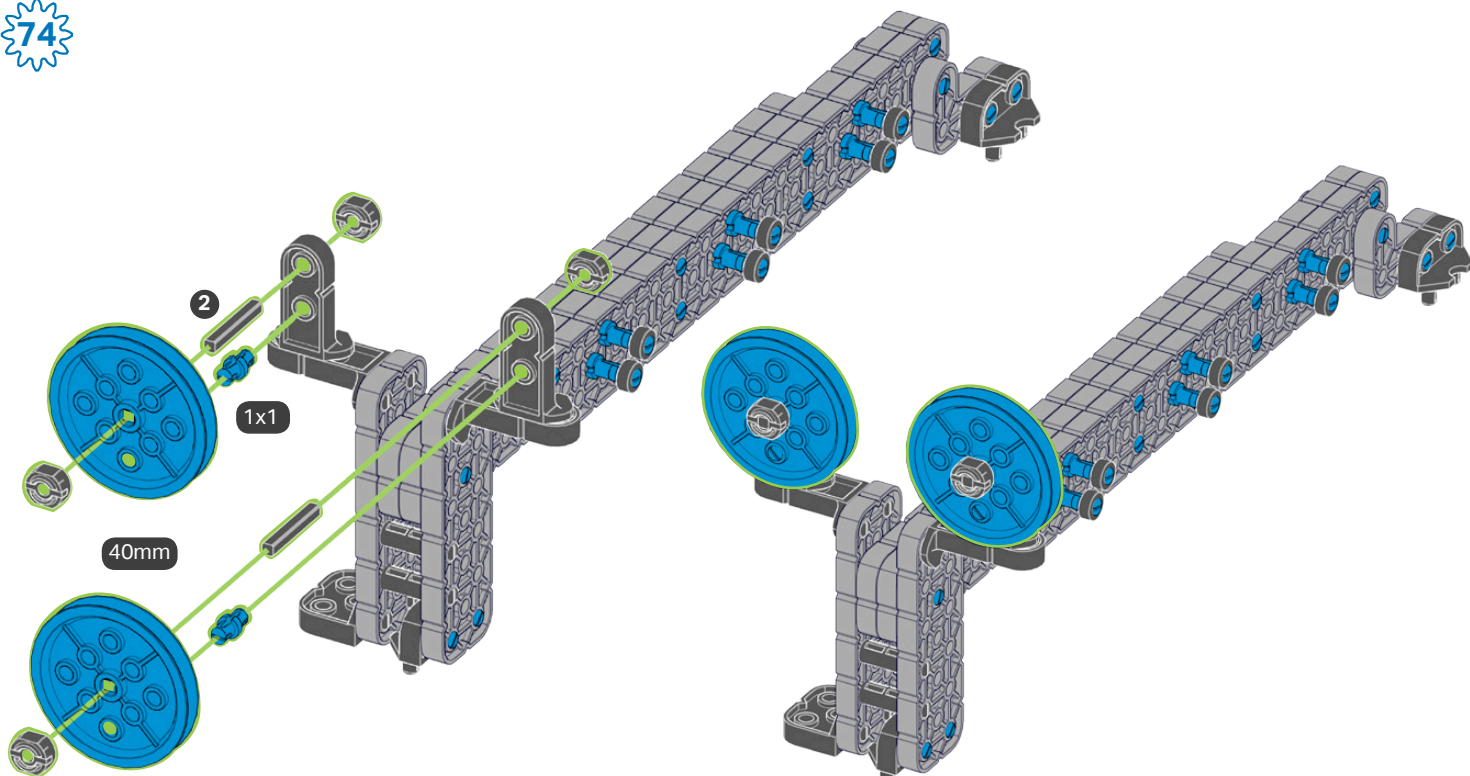


73

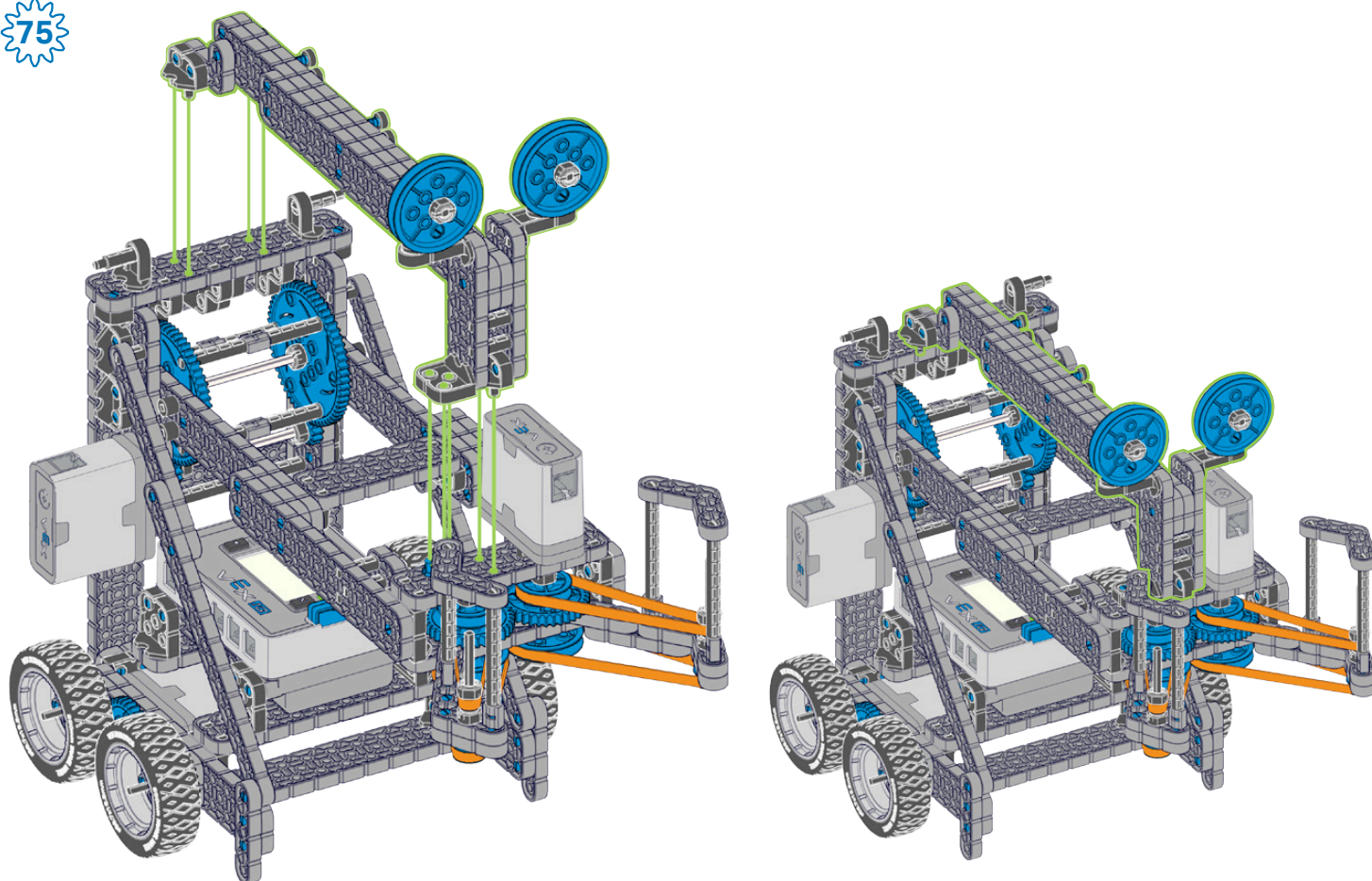




74

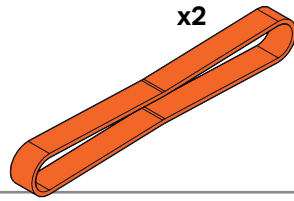


75

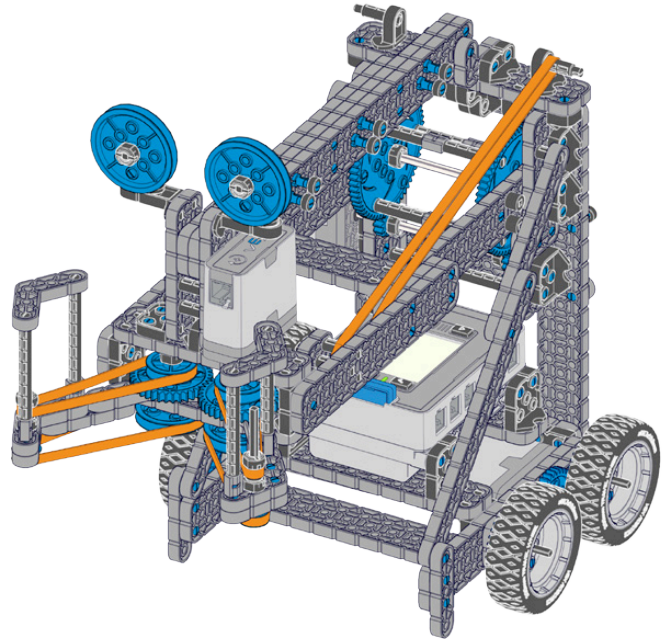
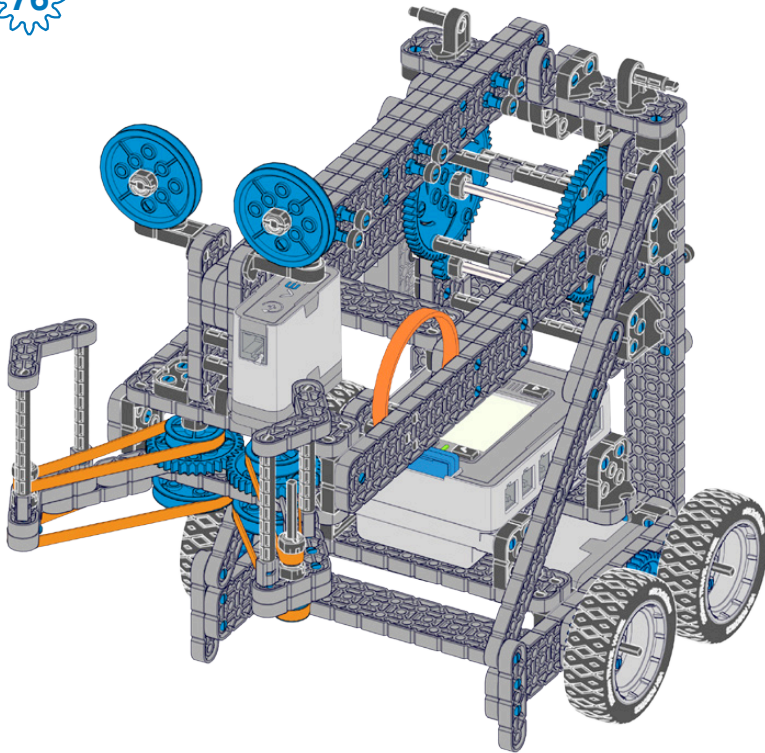




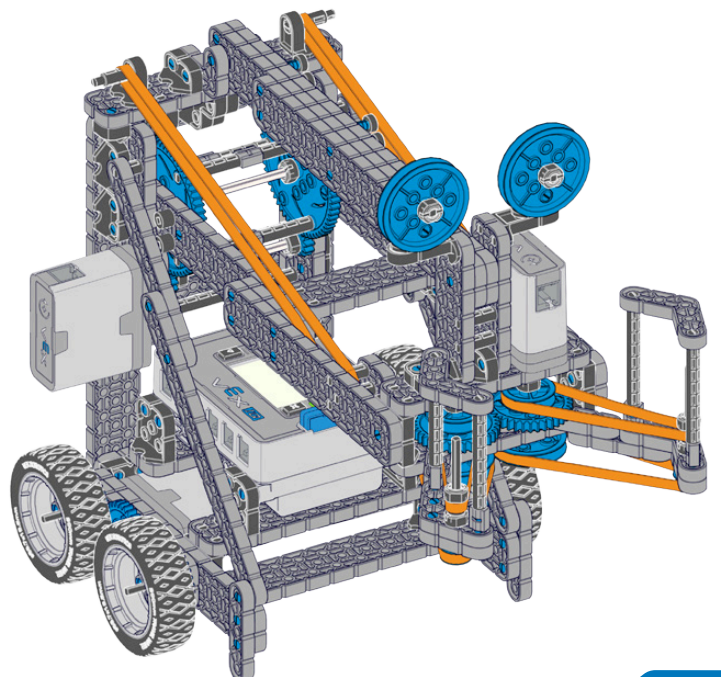
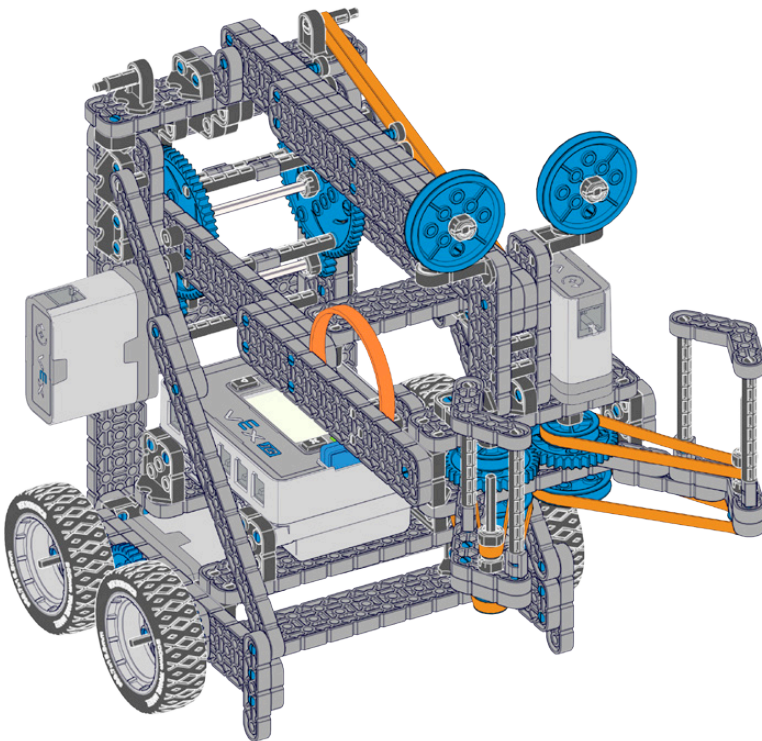
x2

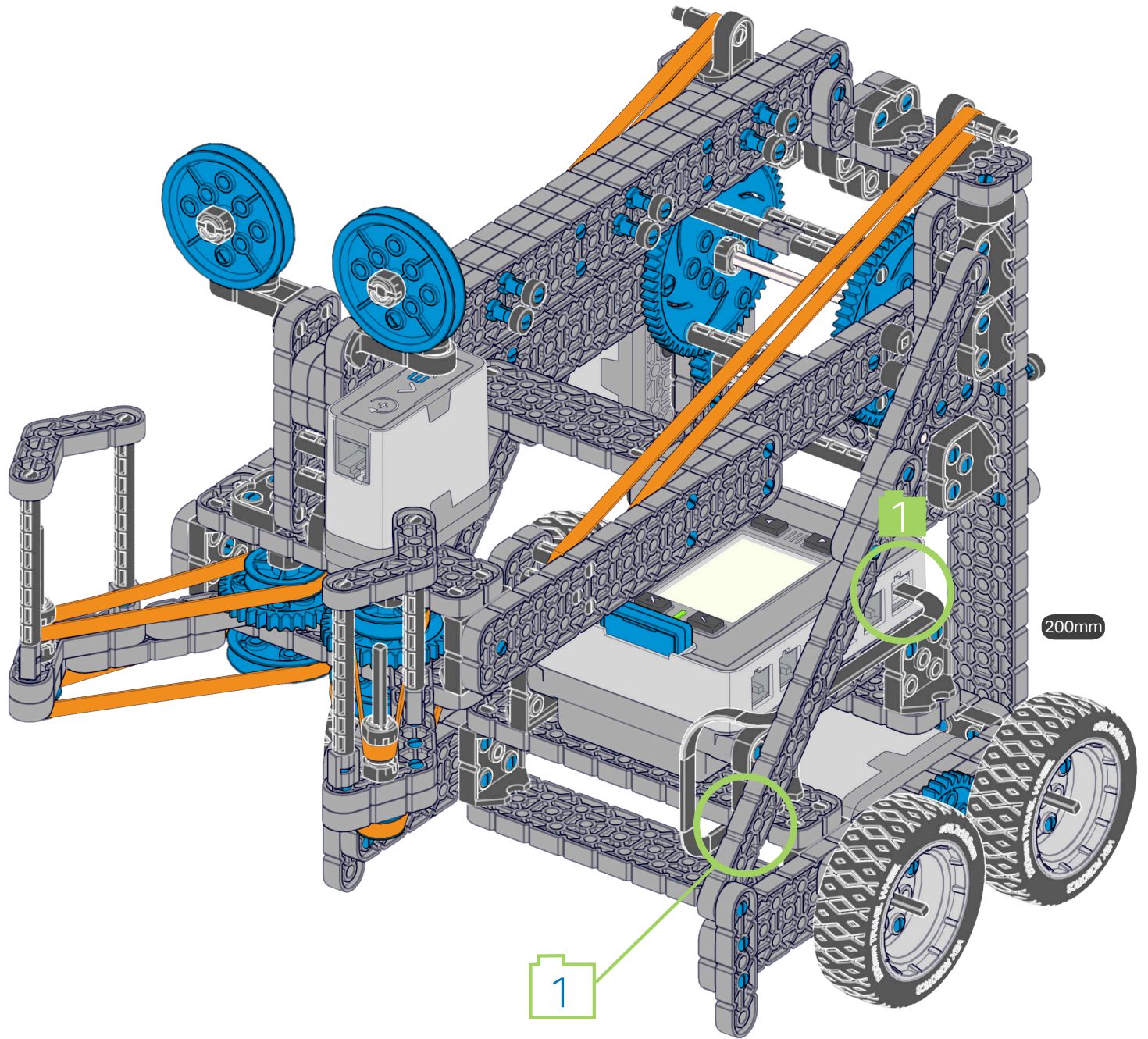
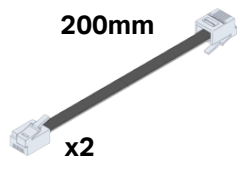


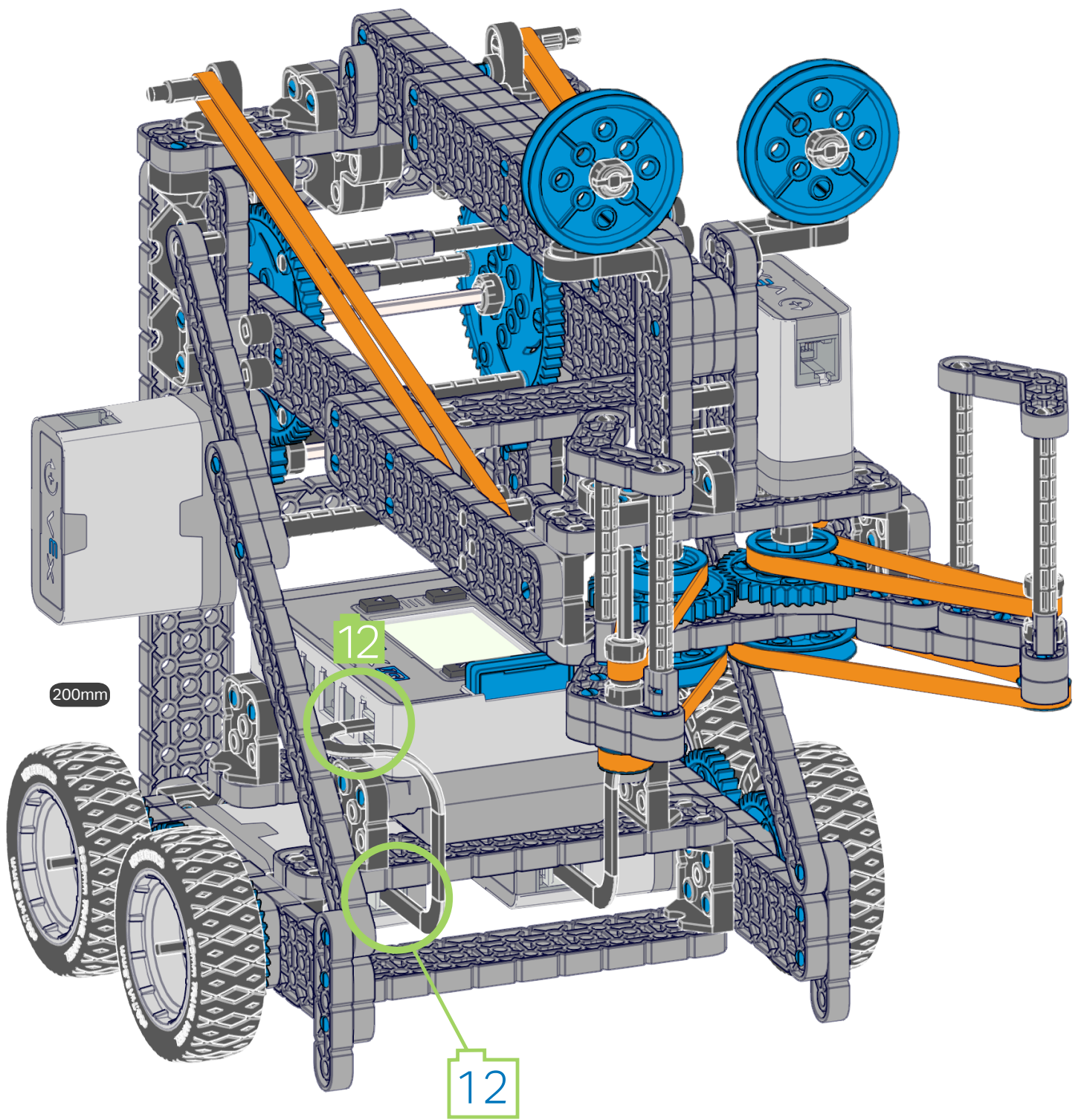
76

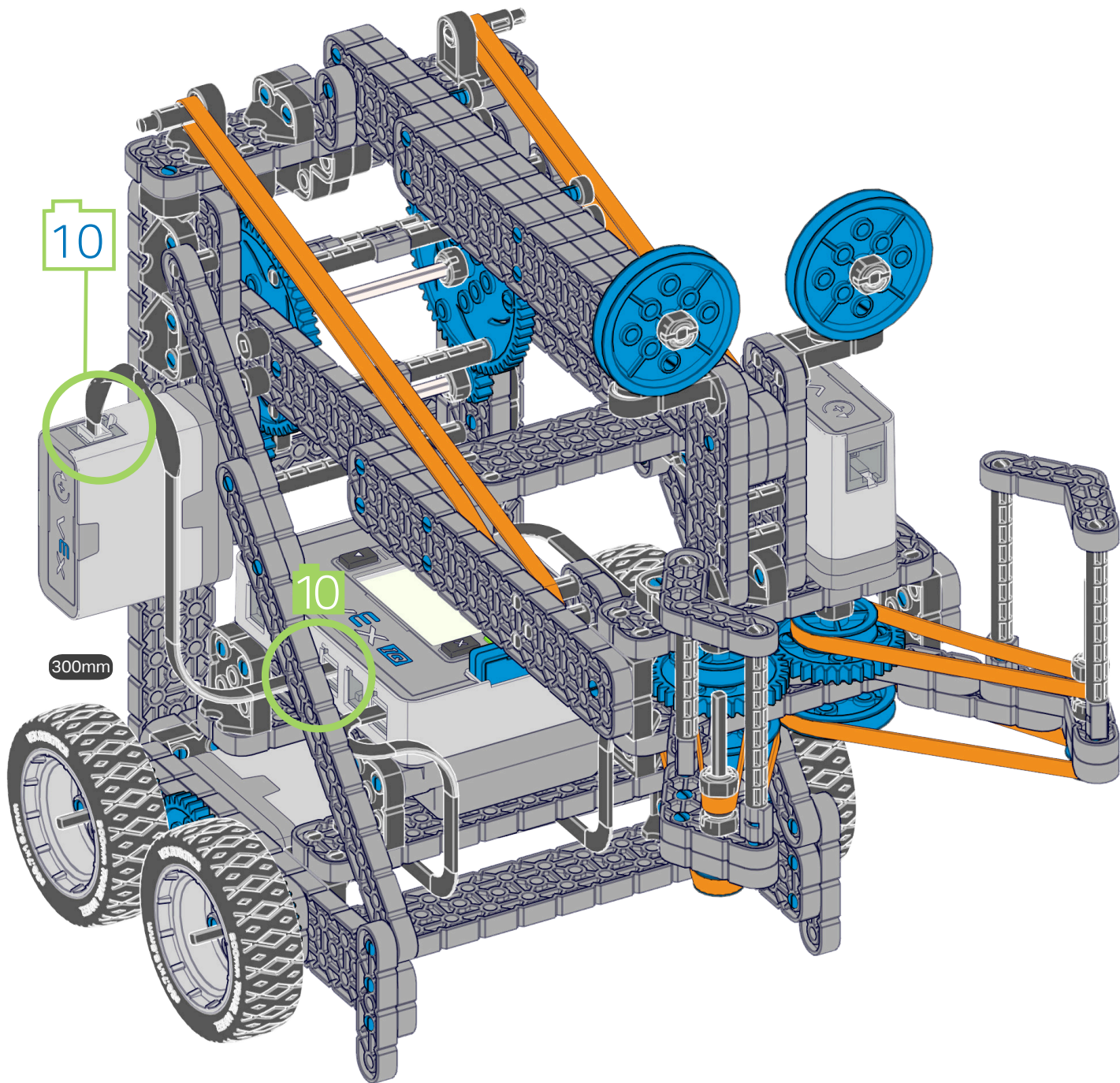
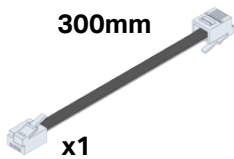


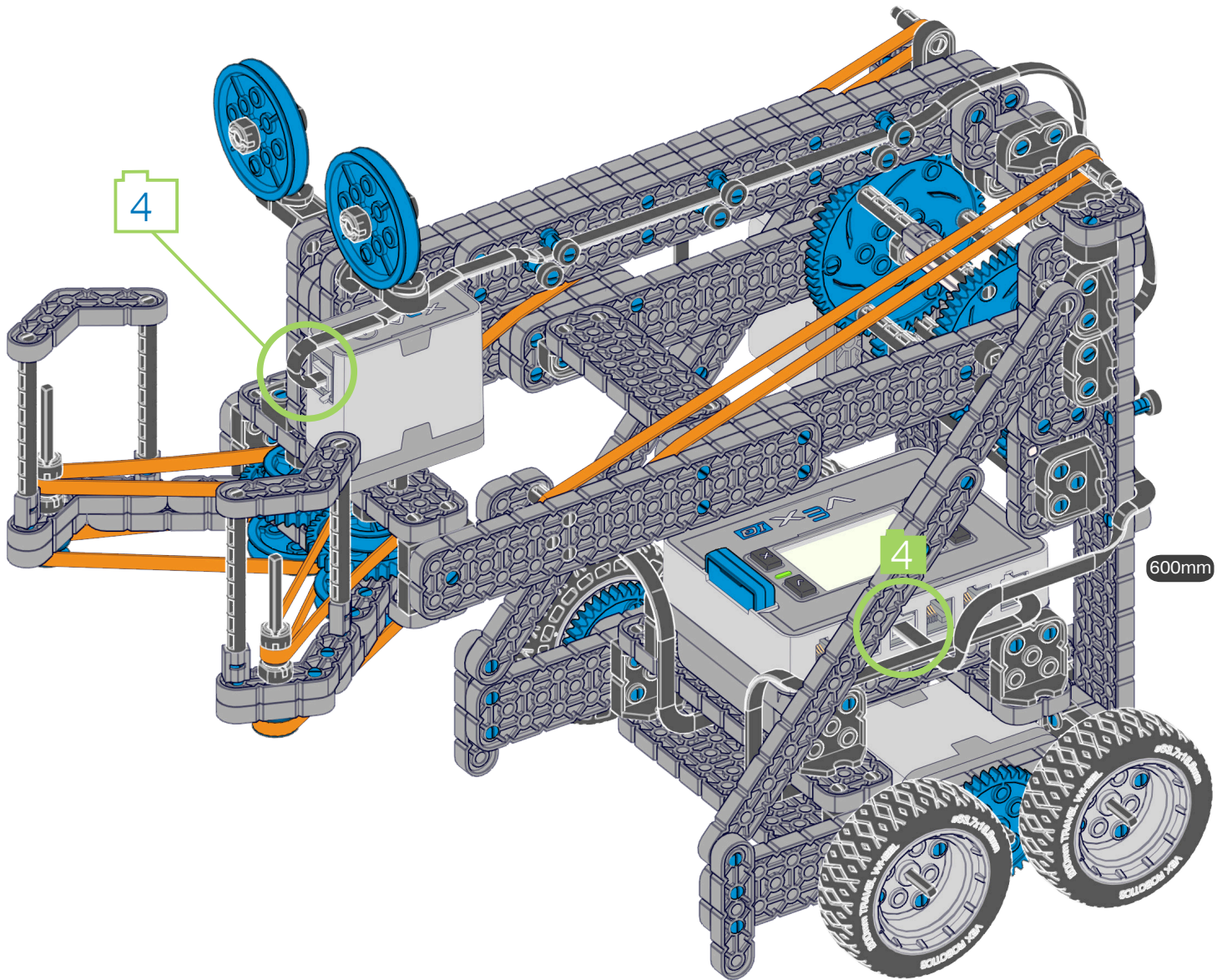
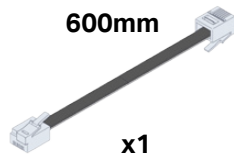
77

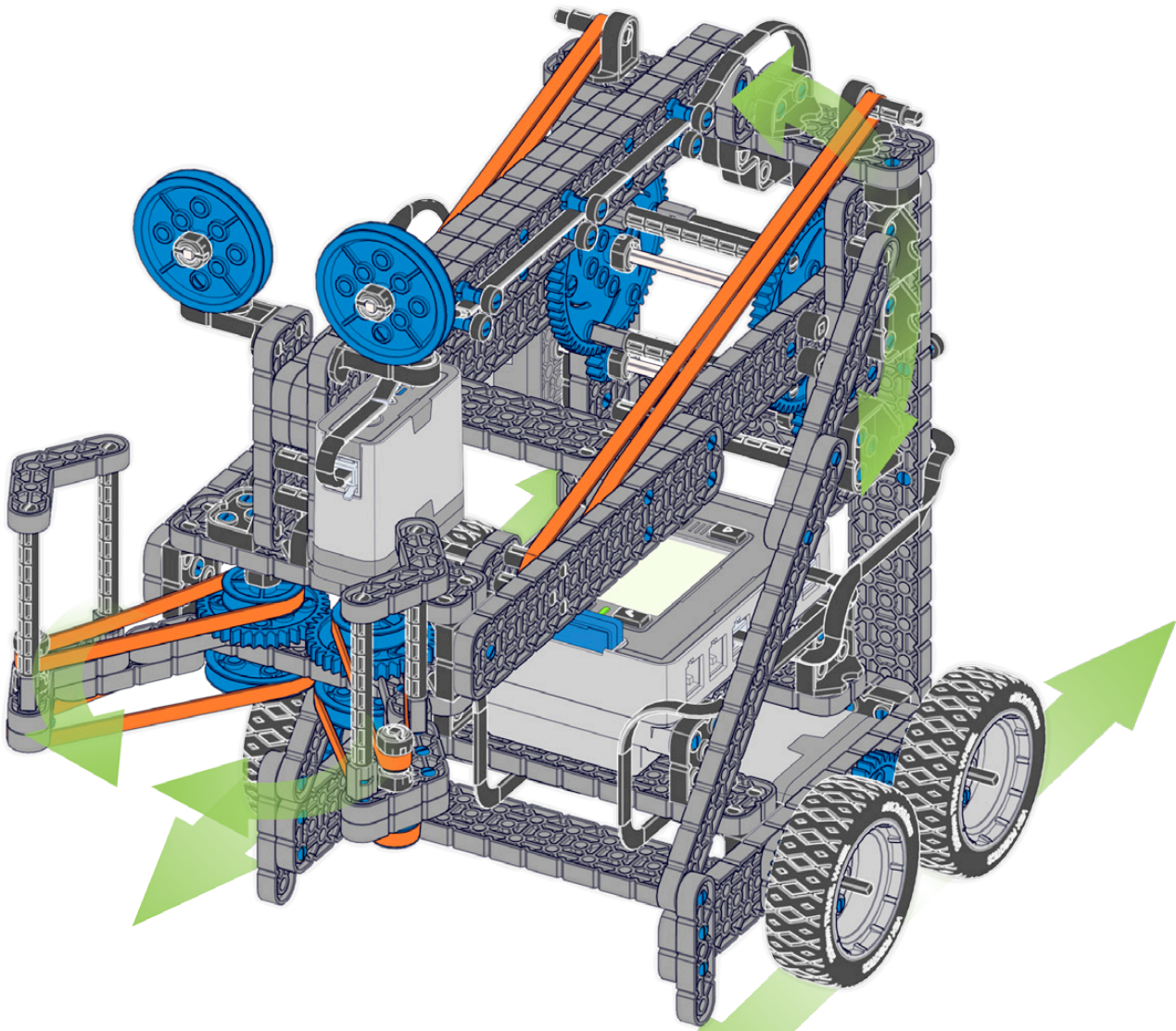












Arm Up & Down  
 ▲  
 L  
 ▼

Close Claw  
 ▲  
 R  
 Open Claw  
 ▼

Left Drive Side

Right Drive Side

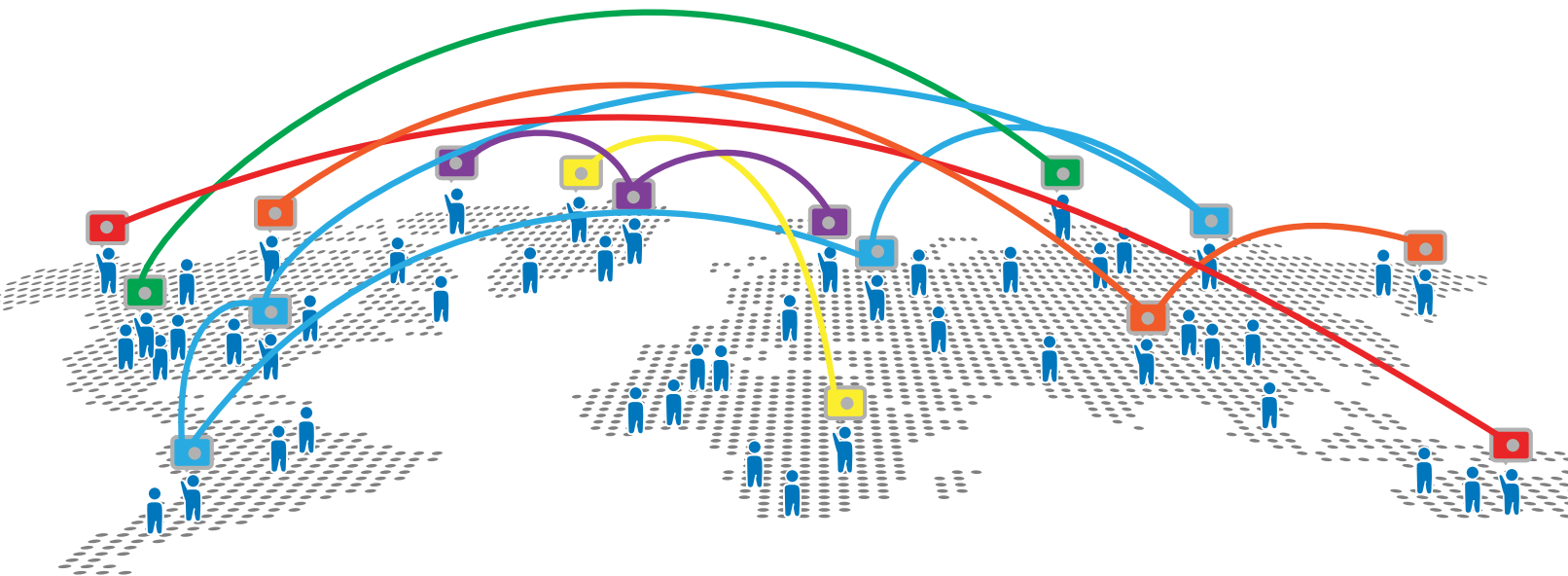


```

Configure
Control 2 Joystick
DriveTurn Normal
Drive FWD Reverse

Motor 4 Normal
Motor 5 Normal
[Select] [Exit]
  
```

The Driver Control program must be in 2 Joystick mode to drive Stretch IQ. Set Drive FWD to Reverse. Set DriveTurn to Normal.



# Questions? We've got answers!

The **VEX IQ Forum** is the go-to place for all VEX related questions. Looking for advice about a specific **robot design**? Get a response from a veteran builder who may have built something similar and can offer their feedback. Or, if you're having problems with programming or a specific part, post in a **Technical Support** channel for quick replies from VEX staff and the VEX IQ community. Share your creations in the **Robot Showcase** channel, or on social media using **#VEXIQ!**

[www.vexiqforum.com](http://www.vexiqforum.com)

# Stretch Build Instructions

228-4444-270 Rev4



Custom manufactured in China for Innovation First Trading SARL. Distributed in the U.S.A. by VEX Robotics, Inc., 1519 Interstate 30 West, Greenville, Texas 75402, U.S.A. Distributed in Europe by Innovation First Trading SARL, 21b rue Gabriel Lippmann, L-5365 Munsbach, Luxembourg +352 27 86 04 87. Distributed in Canada by / Distribué au Canada par / Innovation First Trading, Inc., 1519 Interstate 30 West, Greenville, Texas 75402, U.S.A.